



6A to 30A, 250VAC EMC Filters

Features	Benefits
• Wide Band, High Attenuation	• Improved Low Frequency Performance
• High Voltage Pulse Attenuation	• Protects Against Input Transients
• Integral Terminal Cover	• No Lost Parts
• Conforms to UL, CSA and EN Safety Agency Certifications	• Global Use

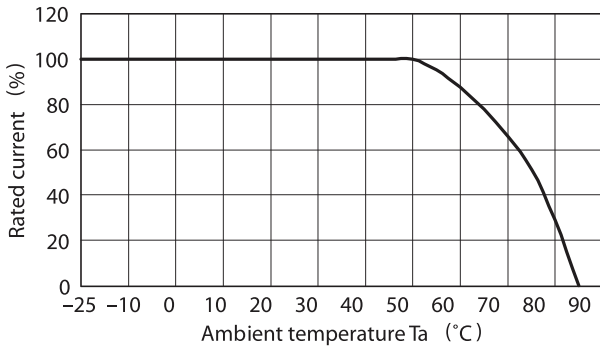


Specification		RSKN-2006	RSKN-2010	RSKN-2020	RSKN-2030
Rated Voltage (AC, DC)	V	250V			
Rated Current	A	6A	10A	20A	30A
Withstand Voltage	V	Terminals to Case: 2500VAC (1 Minute)			
Isolation Resistance	MΩ	100MΩ minimum (500VDC, 1 Minute)			
Leakage Current (max)	A	1mA (250VAC, 60Hz)			
DC Resistance (total)	mΩ	300	100	20	10
Operating Temperature	°C	-25°C to +85°C (See derating curves)			
Storage Temperature	°C	-25°C to +85°C			
Safety Agency Certifications	-	UL1283, CSA C22.2 No.8, EN60939			
Weight	g	220g	310g	530g	660g
Size (W x L x H)	mm	47 x 107 x 26	47 x 117 x 30	52 x 151 x 35	67 x 151 x 35
Warranty	yr	5			

Derating Curve RSKN Series

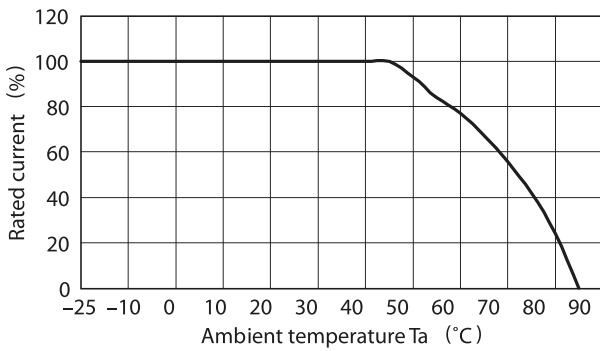
Derating (A)

RSKN-2006/-2010



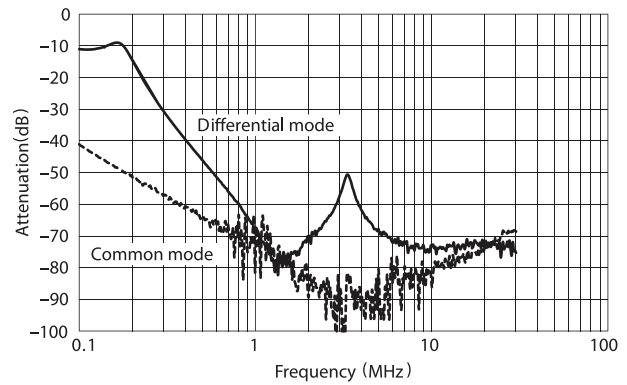
Derating (B)

RSKN-2020/-2030

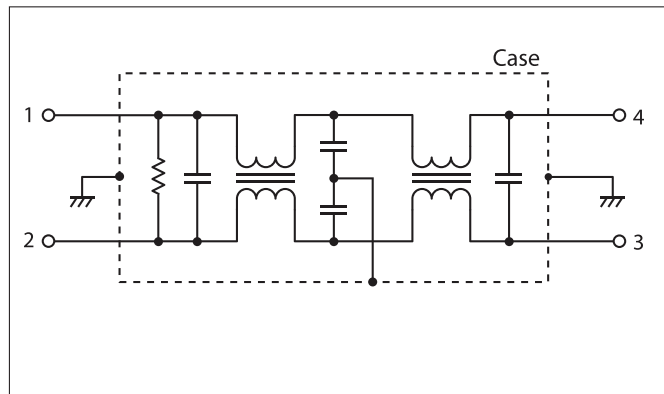


Attenuation Characteristics RSKN Series

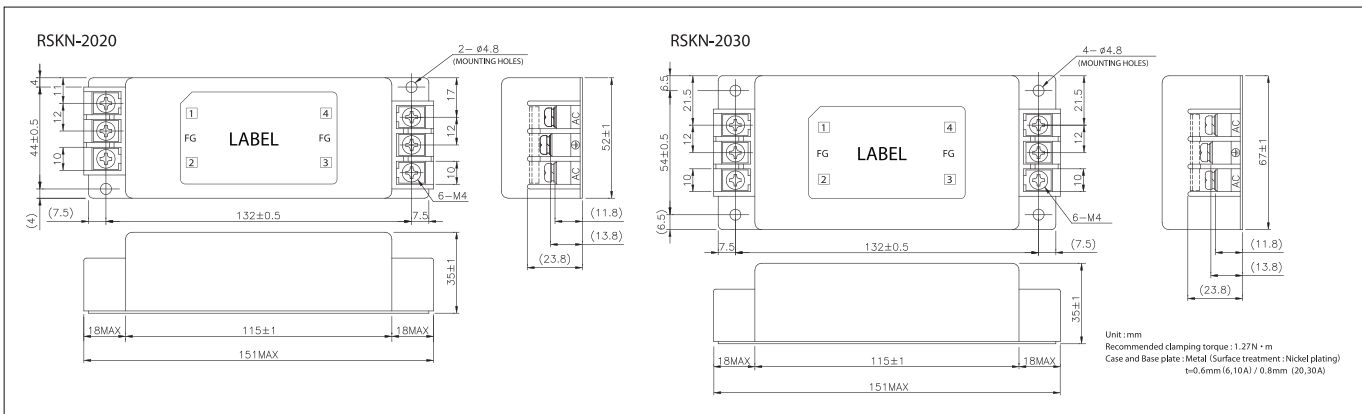
RSKN-2010



Circuit Diagram RSEV Series



Outline Drawing RSKN Series





TDK-Lambda France SAS

3 Avenue du Canada
Parc Technopolis
Bâtiment Sigma
91940 les Ulis
France
Tel: +33 1 60 12 71 65
Fax: +33 1 60 12 71 66
france@fr.tdk-lambda.com
www.fr.tdk-lambda.com



Italy Sales Office

Via Giacomo Matteotti 62
20092 Cinisello Balsamo (MI)
Italy
Tel: +39 02 61 29 38 63
Fax: +39 02 61 29 09 00
info.italia@it.tdk-lambda.com
www.it.tdk-lambda.com



Netherlands

info@nl.tdk-lambda.com
www.nl.tdk-lambda.com



TDK-Lambda Germany GmbH

Karl-Bold-Strasse 40
77855 Achern
Germany
Tel: +49 7841 666 0
Fax: +49 7841 5000
info.germany@de.tdk-lambda.com
www.de.tdk-lambda.com



Austria Sales Office

Aredstrasse 22
2544 Leobersdorf
Austria
Tel: +43 2256 655 84
Fax: +43 2256 645 12
info@at.tdk-lambda.com
www.de.tdk-lambda.com



Switzerland Sales Office

Bahnhofstrasse 50
8305 Dietlikon
Switzerland
Tel: +41 44 850 53 53
Fax: +41 44 850 53 50
info@ch.tdk-lambda.com
www.de.tdk-lambda.com



Nordic Sales Office

Haderslevvej 36B
DK-6000 Kolding
Denmark
Tel: +45 2911 9556
info@dk.tdk-lambda.com



TDK-Lambda UK Ltd.

Kingsley Avenue
Ilfracombe
Devon EX34 8ES
United Kingdom
Tel: +44 (0) 12 71 85 66 66
Fax: +44 (0) 12 71 86 48 94
powersolutions@uk.tdk-lambda.com
www.uk.tdk-lambda.com



TDK-Lambda Ltd.

1 Alexander Yanai
Segula
Petah-Tikva
Israel
Tel: +9 723 902 4333
Fax: +9 723 902 4777
info@tdk-lambda.co.il
www.tdk-lambda.co.il



C.I.S.

Commercial Support:
Tel: +7 (495) 665 2627
Technical Support:
Tel: +7 (812) 658 0463
info@tdk-lambda.ru
www.tdk-lambda.ru

Local Distribution

