



- 1U High
- Up to 3000W (3 units) in 19" Rack
- Hotswap capable (Oring Diodes Built In)
- Low Cost
- PoE Option

## FPS1000 Series

1000W Front End  
Power Supplies

### Key Market Segments & Applications

Power for Distributed Power Architecture  
Factory Automation  
RF Amplifiers

### FPS Features and Benefits

#### Features

- 1U High
- Hotswap capable
- High Efficiency
- Full Array of Signals

#### Benefits

- Lower Cost of Ownership
- Suitable for N+1 Redundancy
- Less Heat Dissipated in System
- Easier System Monitoring

### Specifications

ITEMS	MODELS	12V Nominal				24V Nominal				32V Nominal				48V Nominal			
Output Voltage Range	(1)	V	10.5 - 13.2V		21.5 - 29V		28.8 - 38.4V		43 - 58V								
Output Current		A	72A		40A		31A		21A								
Line Regulation		-					<0.4%										
Load Regulation		-					<0.8%										
Output Noise		mV	150mV		200mV		250mV		300mV								
Overvoltage Protection		V	14.3 to 15.7V		31 to 34V		41.5V to 45.5V		62 to 66V								
Overcurrent Protection		-					105 - 125%, Constant Current type										
Load Sharing		-					Single wire current sharing, up to 8 units										
Remote Sense		-					Compensates for 1V on each output lead										
I <sup>2</sup> C Monitoring		-					Optional (Specify /S)										
Signals (opto isolated)		-					DC OK, AC Fail, and Over temperature warning, high on fail										
Remote On/Off		-					On: 0 - 0.6V or short, Off: 2- 15V or open										
Auxiliary Output		-					11.2-12.5VDC 0.25A										
AC Input	(2)	-					85 - 265VAC, 47 - 63Hz <sup>2</sup> (Derate 10% < 100VAC)										
Leakage Current		mA					<1.1mA at 230VAC input										
Inrush Current		A					<40A										
Hold up time (100VAC input)		-					20ms typical (at 80% rated load)										
Efficiency (typ) 100/200VAC		-	81 / 83%		84 / 86%		84 / 86%		85 / 88%								
Power Factor Correction		-					EN61000-3-2 class A (20-100% load), >0.98 at full load										
Immunity		-					EN61000-4-2, -3, -4, -5, -6, -11										
EMC (conducted and radiated)		-					EN55022, level B, FCC Class B										
Operating Temperature		°C					0°C to +70°C, derate 2%/°C from 50°C to 60°C, 2.5%/°C from 60°C to 70°C										
Storage Temperature		°C					-30°C to +85°C										
Withstand Voltage		-					Input to Output 3kVAC, Input to Ground 2kVAC, Output to Ground 500VAC for 1 min.										
Cooling		-					Two internal fans, airflow from front to back (variable speed)										
Humidity		-					Operating: 10 - 90% RH, Storage: 10 - 95% RH (non condensing)										
Shock & Vibration		-					Built to meet ETS 300 019										
Safety Agency		-					UL60950-1, EN60950-1, CE Mark										
Input / Output Connector		-					Positronic PCIB24W9M400A1 (Mating #PCIB24W9F400A1)										
Front panel indicators		-					AC OK, DC OK, DC Fail										
Size (HxWxL)		mm					Stand alone: 41 x 127 x 290; Rack: 44 x 400 x 351										
Weight		g					2,000										
Warranty		yr					2										

**Note 1** Via Trim pin on output connector

**Note 2** 47-440Hz with reduced PFC (100-265VAC)

Model Selector

Front AC Input Panel Configuration	Output Voltage	Output Current	Max Power	I <sup>2</sup> C Interface
FPS100012/P	12V	72A	864W	No
FPS100012/PS	12V	72A	864W	Yes
FPS100024/P	24V	40A	960W	No
FPS100024/PS	24V	40A	960W	Yes
FPS100032/P	32V	31A	992W	No
FPS100032/PS	32V	31A	992W	Yes
FPS100048/P	48V	21A	1008W	No
FPS100048/PS	48V	21A	1008W	Yes
FPSS1U/P	Rack (3 slot), contains two blanking panels			
FPST1U/P	Rack with 3 individual outputs (floating)			

Rear AC Input Panel Configuration	Output Voltage	Output Current	Max Power	I <sup>2</sup> C Interface
FPS100012	12V	72A	864W	No
FPS100012/S	12V	72A	864W	Yes
FPS100024	24V	40A	960W	No
FPS100024/S	24V	40A	960W	Yes
FPS100032	32V	31A	992W	No
FPS100032/S	32V	31A	992W	Yes
FPS100048	48V	21A	1008W	No
FPS100048/S	48V	21A	1008W	Yes
FPSS1U	Rack (3 slot), contains two blanking panels			
FPST1U	Rack with 3 individual outputs (floating)			

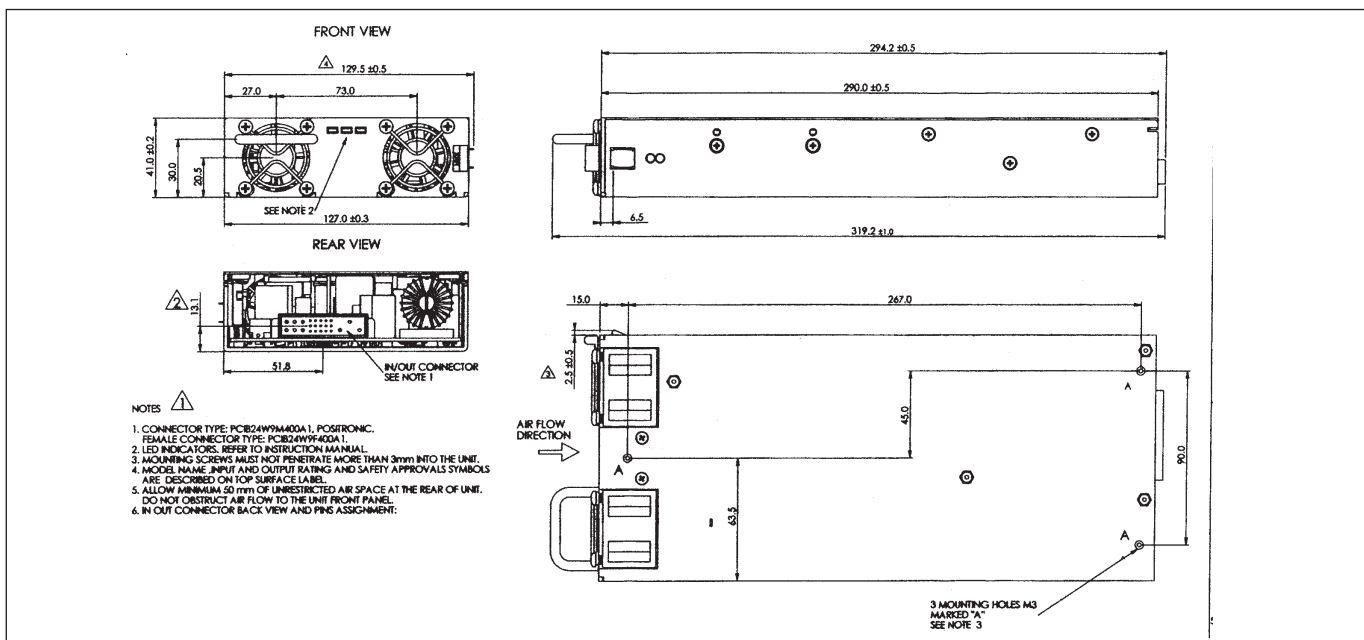
Options

Suffix	Description
/POE*	1500VAC Output to Ground Isolation (output noise 400mV)
*FPS100048 only	

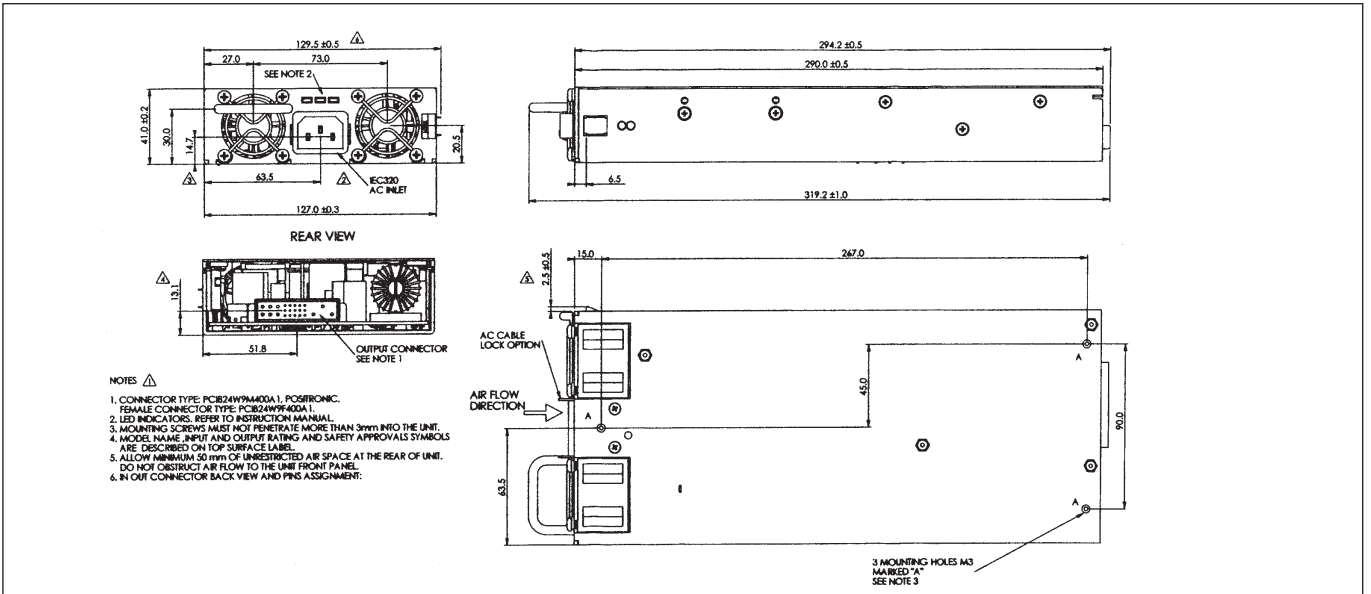
Full System (3 Modules & FPS s1U rack)

FPS3000 -	XX	/ X	
	12	BLANK	= Standard
	24	S	= I <sup>2</sup> C
	32	P	= FRONT AC INPUT
	48		

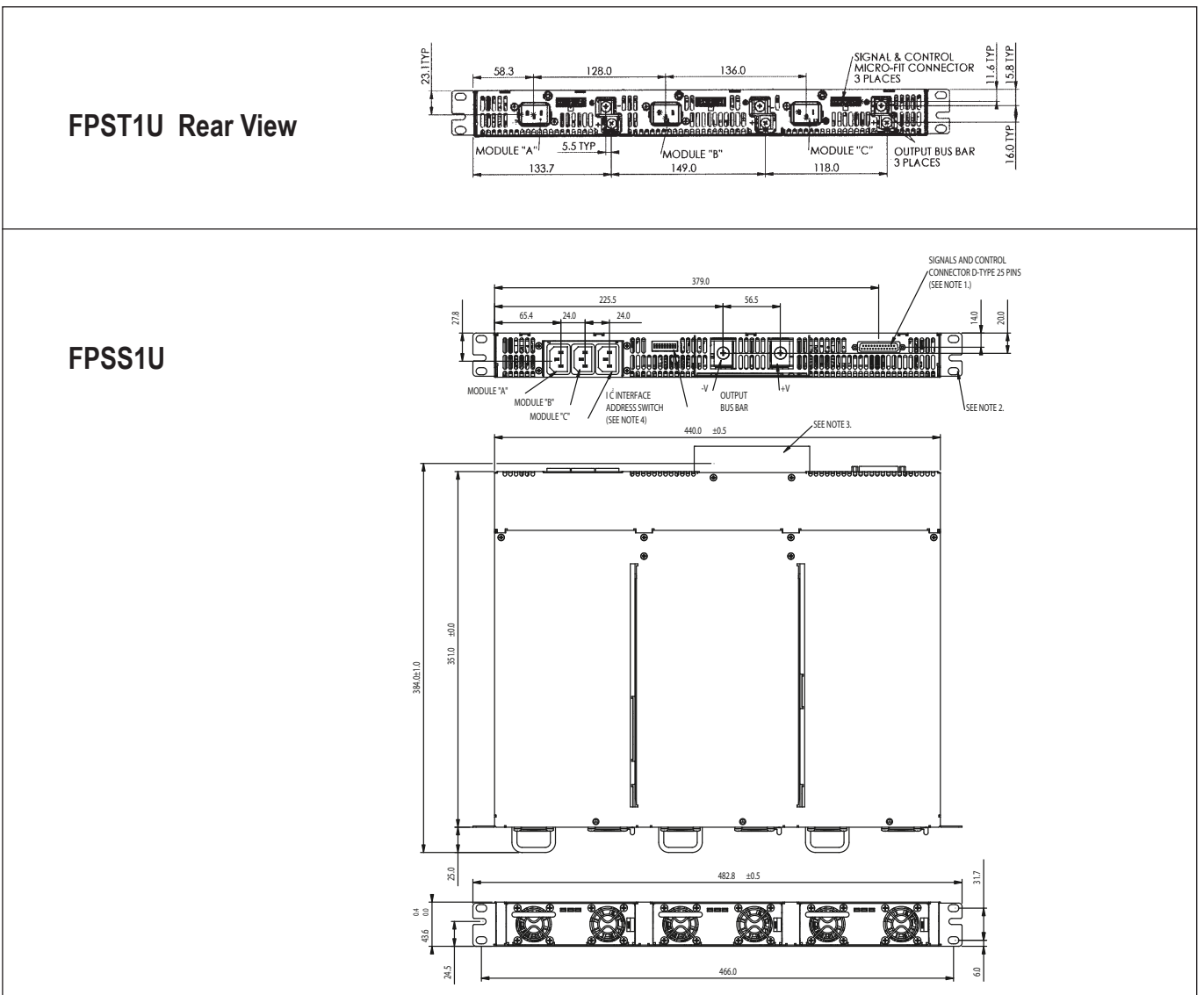
Outline Drawing FPS1000 Series



## Outline Drawing FPS1000/P Series



## Outline Drawing FPS Racks





**TDK-Lambda France SAS**

ZAC des Delaches  
CS 41077  
9 rue Thuillere  
91978 Villebon Courtaboeuf  
France  
Tel: +33 1 60 12 71 65  
Fax: +33 1 60 12 71 66  
france@fr.tdk-lambda.com  
www.fr.tdk-lambda.com



**Italy Sales Office**

Via dei Lavoratori 128/130  
20092 Cinisello Balsamo (MI)  
Italy  
Tel: +39 02 61 29 38 63  
Fax: +39 02 61 29 09 00  
info.italia@it.tdk-lambda.com  
www.it.tdk-lambda.com



**Netherlands**

info@tdk-lambda.nl  
www.tdk-lambda.nl



**TDK-Lambda Germany GmbH**

Karl-Bold-Strasse 40  
77855 Achern  
Germany  
Tel: +49 7841 666 0  
Fax: +49 7841 5000  
info.germany@de.tdk-lambda.com  
www.de.tdk-lambda.com



**Austria Sales Office**

Aredstrasse 22  
2544 Leobersdorf  
Austria  
Tel: +43 2256 655 84  
Fax: +43 2256 645 12  
info.germany@de.tdk-lambda.com  
www.de.tdk-lambda.com



**Scandinavia Sales Office**

Valdemarsgade 7  
4100 Ringsted  
Denmark  
Tel: +45 24 63 95 65  
Fax: +45 69 80 44 99  
info@de.tdk-lambda.com  
www.emea.tdk-lambda.com



**Switzerland Sales Office**

Bahnhofstrasse 50  
8305 Dietlikon  
Switzerland  
Tel: +41 44 850 53 53  
Fax: +41 44 850 53 50  
info@de.tdk-lambda.com  
www.de.tdk-lambda.com



**TDK-Lambda UK Ltd.**

Kingsley Avenue  
Ilfracombe  
Devon EX34 8ES  
United Kingdom  
Tel: +44 (0) 12 71 85 66 66  
Fax: +44 (0) 12 71 86 48 94  
powersolutions@uk.tdk-lambda.com  
www.uk.tdk-lambda.com



**TDK-Lambda Ltd.**

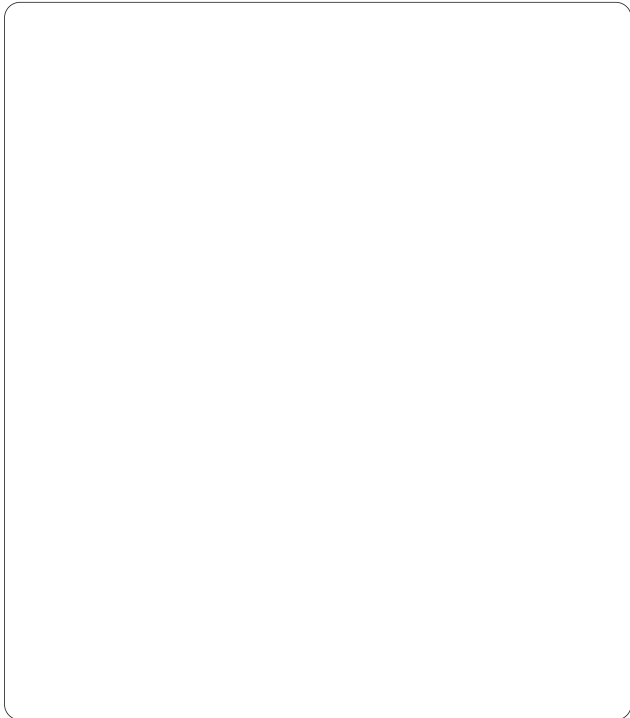
Kibbutz  
Givat Hashlosha 48800  
Israel  
Tel: +9 723 902 4333  
Fax: +9 723 902 4777  
info@tdk-lambda.co.il  
www.tdk-lambda.co.il



**C.I.S.**

**Commercial Support:**  
Tel: +7 (495) 665 2627  
**Technical Support:**  
Tel: +7 (812) 658 0463  
info@tdk-lambda.ru  
www.tdk-lambda.ru

**Local Distribution**



[www.emea.tdk-lambda.com](http://www.emea.tdk-lambda.com)