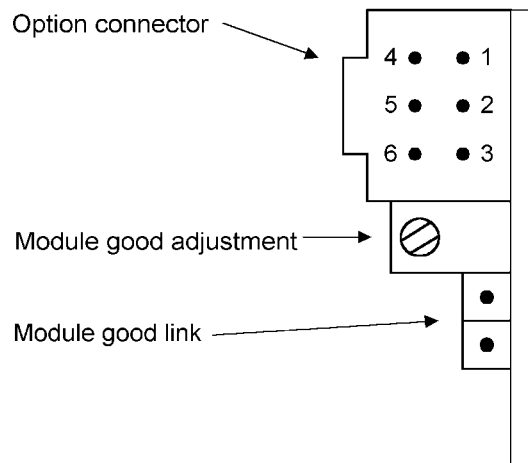


### Inhibit Option (INH)

The inhibit option is a factory fitted board that can be specified for most output modules. It enables the individual module output voltage to be shutdown by application of an inhibit signal. The option also provides a module good output signal that indicates when the module output is within 10% of the set voltage level.

#### External View



Option connector pin-out

- 1 Not Connected
- 2 Module Good Signal
- 3 Inhibit Input
- 4 Not Connected
- 5 -ve output
- 6 -ve output

Mating connector details  
(parts supplied)

6-way housing : Molex 90142-0006

Crimp terminals : Molex 90119-2109

**Specifications** - all voltages are with respect to -ve output (pin 5 & 6) unless otherwise stated.

#### **Inhibit - Pin 3**

Max voltage for output inhibited	0.8V max
Sink current, pin 3 = 0V	0.15mA typ
Module output voltage when inhibited	0.5V max (1.0V max for F modules)
Min voltage for output enabled	2.0V min
Open circuit voltage	5V typ
Hysteresis	0.4V typ
Input filter time constant	0.33mS typ
Response time inhibit to o/p fall	0.5mS typ (see waveforms)
Response time inhibit to o/p rise	0.7mS typ (see waveforms)

#### **Module Good = Pin 2**

Module good signal type	Open collector output
Max external voltage	50V max
Max sink current	50mA for V<0.8Volts, 100mA for V<1.5Volts
Output voltage high threshold	110~115% of set voltage (measured at sense terminals)
Output voltage low threshold	85~90% of set voltage (measured at sense terminals)

#### **Module Good set-up procedure**

The module good signal is factory pre-set to suit the specified output voltage. If there is a requirement to change this setting, the procedure is as follows:-

##### **Step 1**

Remove the module good link from the option board (refer to drawing above).

##### **Step 2**

Wire a LED to the module good signal - see typical circuit connection below.

##### **Step 3**

Set the module to the required output voltage by adjusting the module voltage adjustment potentiometer.

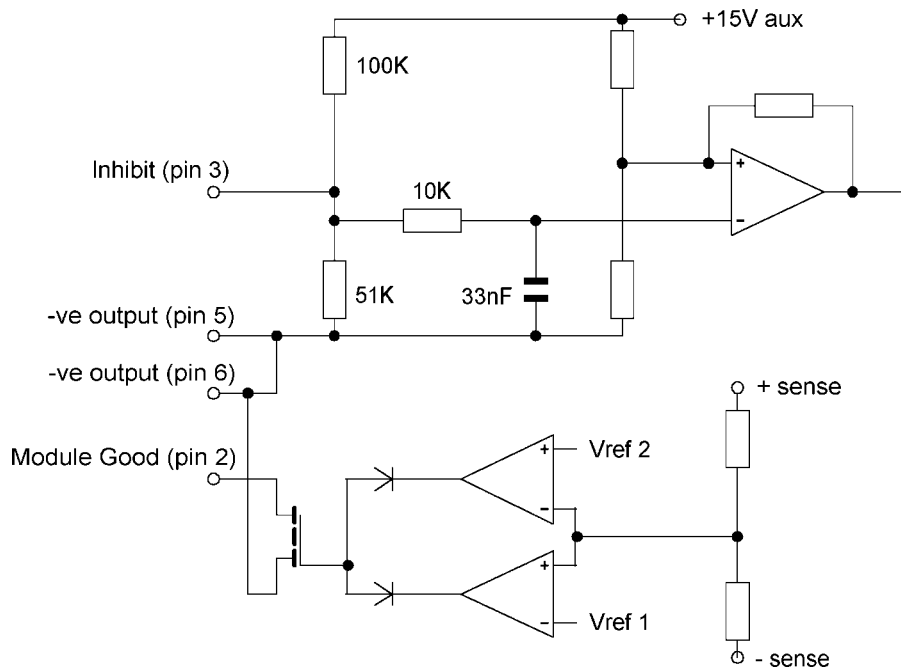
##### **Step 4**

Set the module good threshold by turning the module good adjustment potentiometer (refer to drawing above) fully anticlockwise and then adjusting clockwise until the LED turns on. Continue adjusting clockwise until the LED just turns off - the adjustment is now set.

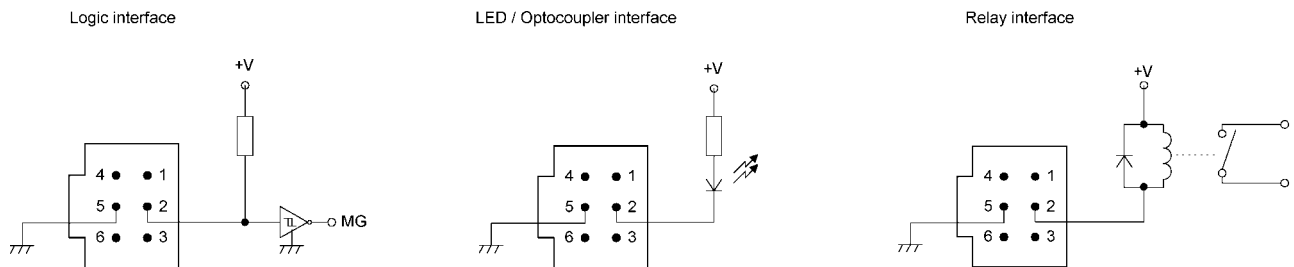
##### **Step 5**

Refit the module good link to the option board.

### Internal Schematic

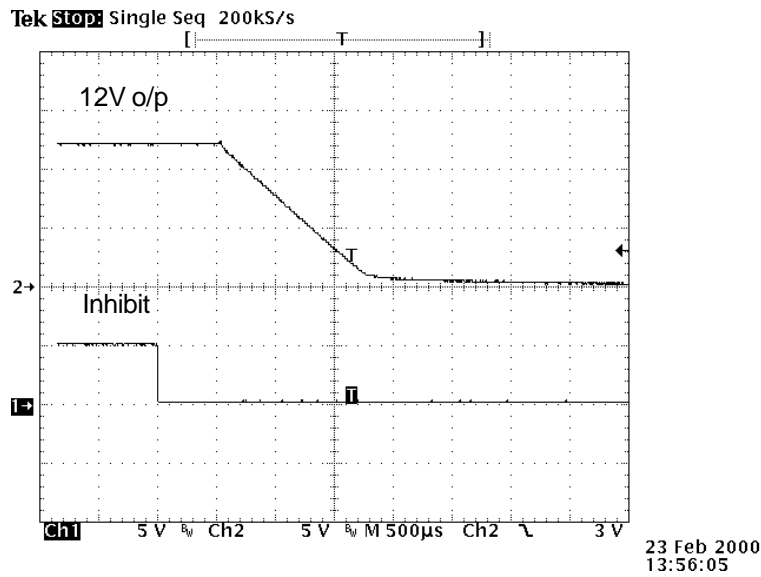


### Typical Circuit Connections



### Alpha Inhibit Option - Typical Waveforms

Inhibit to output fall delay (12M module, 8Amps load), (typical delay 520uS)



Inhibit to output rise delay (12M module, no load), (typical delay 720uS).

