



Industrial



Test



Comm



Broadcast

85W, 12A Non-isolated SMT Point of Load



Features	Benefits
• DOSA Compatible Footprint	• Ideal for Second Sourcing
• Constant Switching Frequency	• Predictable EMI
• No external Loop Tuning Components Needed	• Less Board Area Needed
• Excellent Transient response	• For Sensitive Applications

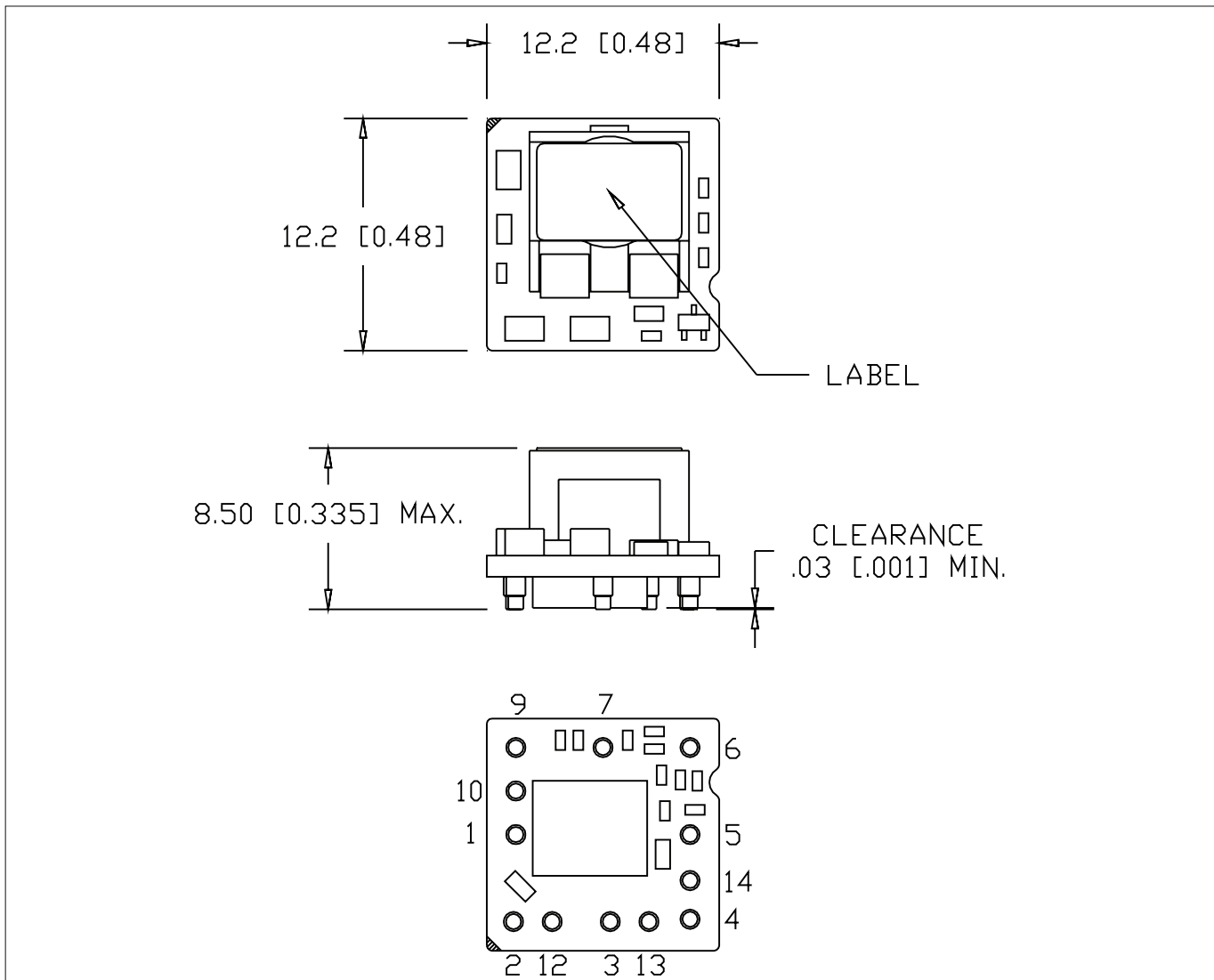
Specification		
Model		iCH
DC Output Voltage	V	0.7 - 8.5
DC Input Voltage	V	4.5 - 14
Efficiency	%	88.5 - 97
Output Voltage Tolerance	%	±3
Switching Frequency	kHz	500
Line Regulation	mV	5
Load Regulation	mV	6
External Load Capacitance	uF	200 - 2000
Output Ripple and Noise	mVpp	15
Overcurrent Protection	A	22A typical
Remote On / Off	-	Positive Logic (For Negative Logic Contact Factory)
Remote Sense	-	(+) Sense, compensating up to 0.5V
Power Good	-	Yes, Low on fail
Operating Temperature	°C	-40°C to 115°C (see thermal data on website)
Storage Temperature	°C	-55°C to 125°C
Safety Agency Approvals	-	IEC/UL/CSA/EN62368-1, 60950-1, CE Mark
Weight	g / oz	2.5g / 0.088 oz
Size (LxWxH)	mm	12.2 x 12.2 x 8.5
Warranty	yrs	3

Model Selector

Input Model	Input Voltage (V)	Output Current (A)	Output Voltage (V)	Positive Logic On/Off	Negative Logic On/Off
iCH12012A007V-007-R	4.5 - 14	12	0.7 - 8.5	-	yes
iCH12012A007V-006-R	4.5 - 14	12	0.7 - 8.5	yes	-

Preferred

Outline Drawing iCH Series



Pin Assignment

PIN	Function	PIN	Function
1	ON / OFF	8	Not Fitted
2	VIN	9	Not Connected
3	GND	10	PWR GOOD
4	VOUT	11	Not Fitted
5	SENSE (+)	12	VIN
6	TRIM	13	GND
7	GND	14	VOUT



TDK-Lambda France SAS

3 Avenue du Canada
Parc Technopolis
Bâtiment Sigma
91940 les Ulis
France
Tel: +33 1 60 12 71 65
Fax: +33 1 60 12 71 66
france@fr.tdk-lambda.com
www.emea.lambda.tdk.com/fr



Italy Sales Office

Via Giacomo Matteotti 62
20092 Cinisello Balsamo (MI)
Italy
Tel: +39 02 61 29 38 63
Fax: +39 02 61 29 09 00
info.italia@it.tdk-lambda.com
www.emea.lambda.tdk.com/it



Netherlands

info@nl.tdk-lambda.com
www.emea.lambda.tdk.com/nl



TDK-Lambda Germany GmbH

Karl-Bold-Strasse 40
77855 Achern
Germany
Tel: +49 7841 666 0
Fax: +49 7841 5000
info.germany@de.tdk-lambda.com
www.emea.lambda.tdk.com/de



Austria Sales Office

Aredstrasse 22
2544 Leobersdorf
Austria
Tel: +43 2256 655 84
Fax: +43 2256 645 12
info@at.tdk-lambda.com
www.emea.lambda.tdk.com/at



Switzerland Sales Office

Eichtalstrasse 55
8634 Hombrechtikon
Switzerland
Tel: +41 44 850 53 53
Fax: +41 44 850 53 50
info@ch.tdk-lambda.com
www.emea.lambda.tdk.com/ch



Nordic Sales Office

Haderslevvej 36B
DK-6000 Kolding
Denmark
Tel: +45 8853 8086
info@dk.tdk-lambda.com
www.emea.lambda.tdk.com/dk



TDK-Lambda UK Ltd.

Kingsley Avenue
Ilfracombe
Devon EX34 8ES
United Kingdom
Tel: +44 (0) 12 71 85 66 66
Fax: +44 (0) 12 71 86 48 94
info@uk.tdk-lambda.com
www.emea.lambda.tdk.com/uk



TDK-Lambda Ltd.

1 Alexander Yanai
Segula
Petah-Tikva
Israel
Tel: +9 723 902 4333
Fax: +9 723 902 4777
info@tdk-lambda.co.il
www.emea.lambda.tdk.com/il



C.I.S.

Commercial Support:

Tel: +7 (495) 665 2627

Technical Support:

Tel: +7 (812) 658 0463

info@tdk-lambda.ru

www.emea.lambda.tdk.com/ru

Local Distribution

