



## 2-4W Wide AC-DC Input PCB-Mount Power Supplies



Features	Benefits
• 90 - 305VAC Input Voltage	• Global Use
• Class II (No ground needed)	• Easy Rapid On-Board Integration
• Wide Temperature Range (-40 to +80°C)	• Use in a Range of Professional Industrial Applications
• Low off-load Power Consumption	• Friendly Environmental Footprint

Specification		KAS2	KAS4
Input Voltage Range	-	90-305VAC 47-63Hz or 120-430VDC*	90-305VAC 47-440Hz or 120-430VDC*
Inrush Current Limiting (115 / 230VAC) (1)	A	30 / 50A	15 / 25A
Input Current (115 / 230VAC)	mA	75 / 55mA	110 / 70mA
No Load Power Consumption	W	<0.3W	
Recommended External Fuse	-	3.15 A slow blow type	
Temperature Coefficient	-	±0.02%/°C	
Voltage Set Accuracy	%	±6%	±2%
Minimum Load	-	None	
Overcurrent Protection	-	Hiccup mode, automatic recovery	
Overvoltage Protection	%	No	
Hold-up Time (115 / 230VAC)	ms	>15ms	
Leakage Current (Touch)	mA	<0.25mA at <240VAC	
Operating Temperature	-	-40°C to +80°C, derate linearly to 40% load from 60°C to 80°C	-40°C to +70°C, derate linearly to 40% load from 50°C to 70°C (2)
Storage Temperature	-	-40°C to +85°C	
Humidity	%RH	10% to 95% RH (non-condensing)	
Cooling	-	Convection	
Withstand Voltage	VAC	Input to output: 3kVAC	
Immunity	-	EN55024 (With external varistor L-N rated at 350Vrms maximum, 920V clamp, 0.6W minimum)	
Safety Agency Certification	-	UL/CSA/IEC/EN 60950-1, IEC/EN60335-1 (Designed to meet), CE Mark	
Conducted and Radiated EMI	-	EN55032 Class B	
Weight	g	19.9	26
Size (LxWxH)	mm	28.5 x 25.8 x 17.0	37.0 x 27.5 x 17.5
Mounting & Case	-	PC board mountable. Resin case (UL 94V-0)	
MTBF (MIL-HDBK-217F)	hrs	>450,000 hours	
Warranty	yrs	3	

**Notes:**

(1) Cold start, 25°C ambient. Requires 10Ω 5A external NTC thermistor

(2) Model dependent, see installation manual for details

\* Safety certified for AC input, 47-63Hz only

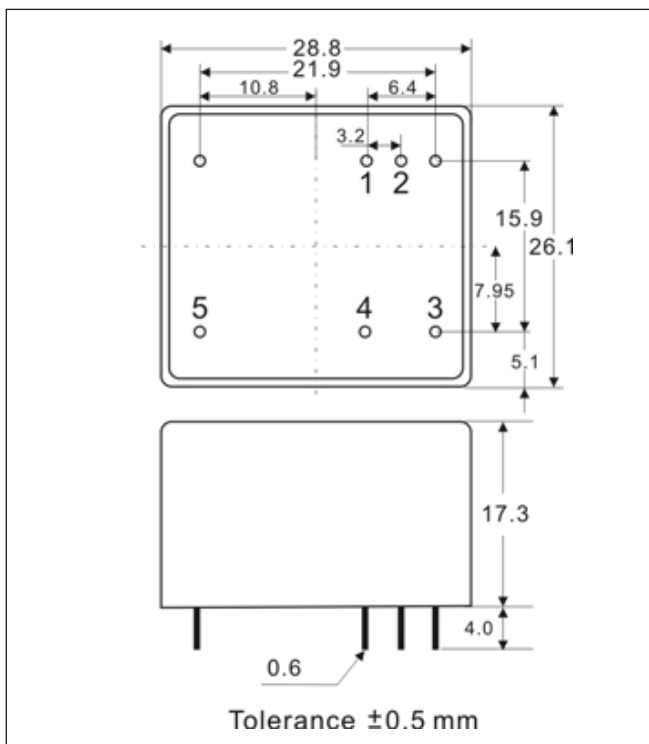
**Note: KAS2 no longer available**

## Model Selector

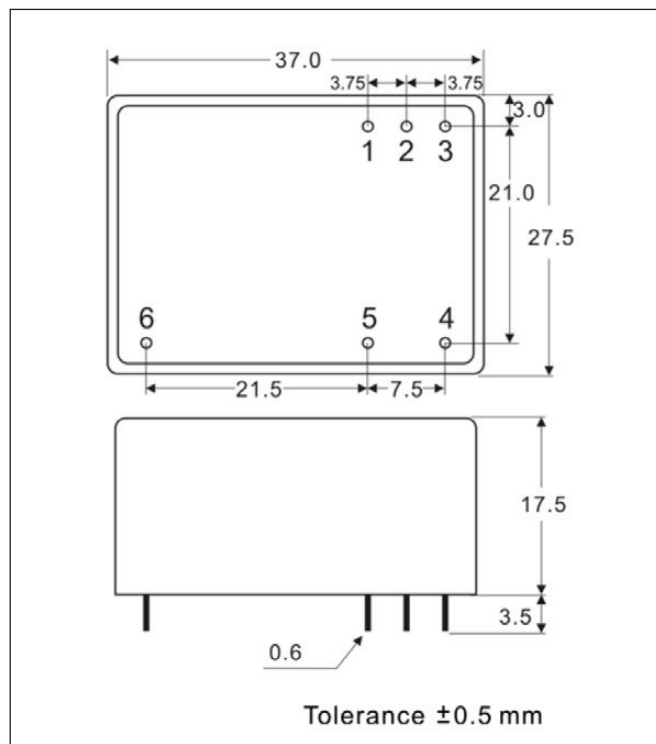
Model	Output Voltage (V)	Maximum Current (A)	Power (W)	Output Ripple & Noise (mV)	Line Regulation (mV)	Load Regulation (typ) (3)	Efficiency (%)	Maximum Capacitive Load ( $\mu$ F)	
KAS2-3P3	V1	3.3V	0.6A	2W	300mV	$\pm$ 165mV	$\pm$ 198mV	66%	7000
KAS4-3P3	V1	3.3V	1.2A	4W	250mV	$\pm$ 16.5mV	$\pm$ 49.5mV	68%	5000
KAS2-5	V1	5V	0.4A	2W	300mV	$\pm$ 250mV	$\pm$ 300mV	70%	4000
KAS4-5	V1	5V	0.8A	4W	250mV	$\pm$ 25mV	$\pm$ 75mV	72%	4200
KAS4-8	V1	8V	0.5A	4W	200mV	$\pm$ 40mV	$\pm$ 120mV	74%	1470
KAS2-9	V1	9V	0.22A	2W	300mV	$\pm$ 450mV	$\pm$ 540mV	73%	1200
KAS4-9	V1	9V	0.444A	4W	200mV	$\pm$ 45mV	$\pm$ 135mV	75%	1330
KAS2-12	V1	12V	0.167A	2W	300mV	$\pm$ 600mV	$\pm$ 720mV	73%	500
KAS4-12	V1	12V	0.333A	4W	150mV	$\pm$ 24mV	$\pm$ 60mV	76%	680
KAS4-14	V1	14V	0.286A	4W	150mV	$\pm$ 28mV	$\pm$ 70mV	76%	470
KAS2-15	V1	15V	0.133A	2W	300mV	$\pm$ 750mV	$\pm$ 900mV	73%	350
KAS4-15	V1	15V	0.267A	4W	100mV	$\pm$ 30mV	$\pm$ 75mV	76%	330
KAS2-24	V1	24V	0.083A	2W	300mV	$\pm$ 1200mV	$\pm$ 1440mV	75%	110
KAS4-24	V1	24V	0.167A	4W	100mV	$\pm$ 48mV	$\pm$ 120mV	77%	120

Notes: (3) KAS2 10-100% load change

### Outline Drawing KAS2



### Outline Drawing KAS4



### Pin Assignment

PIN #	KAS2	KAS4
1	+Vout	+Vout
2	-Vout	-Vout
3	Neutral	Not connected
4	Line	Line
5	Not connected	Neutral
6	-	Not connected



## TDK-Lambda France SAS

3 Avenue du Canada  
Parc Technopolis  
Bâtiment Sigma  
91940 les Ulis  
France  
Tel: +33 1 60 12 71 65  
Fax: +33 1 60 12 71 66  
france@fr.tdk-lambda.com  
www.emea.lambda.tdk.com/fr



## Italy Sales Office

Via Giacomo Matteotti 62  
20092 Cinisello Balsamo (MI)  
Italy  
Tel: +39 02 61 29 38 63  
Fax: +39 02 61 29 09 00  
info.italia@it.tdk-lambda.com  
www.emea.lambda.tdk.com/it



## Netherlands

info@nl.tdk-lambda.com  
www.emea.lambda.tdk.com/nl



## TDK-Lambda Germany GmbH

Karl-Bold-Strasse 40  
77855 Achern  
Germany  
Tel: +49 7841 666 0  
Fax: +49 7841 5000  
info.germany@de.tdk-lambda.com  
www.emea.lambda.tdk.com/de



## Austria Sales Office

Aredstrasse 22  
2544 Leobersdorf  
Austria  
Tel: +43 2256 655 84  
Fax: +43 2256 645 12  
info@at.tdk-lambda.com  
www.emea.lambda.tdk.com/at



## Switzerland Sales Office

Eichtalstrasse 55  
8634 Hombrechtikon  
Switzerland  
Tel: +41 44 850 53 53  
Fax: +41 44 850 53 50  
info@ch.tdk-lambda.com  
www.emea.lambda.tdk.com/ch



## Nordic Sales Office

Haderslevvej 36B  
DK-6000 Kolding  
Denmark  
Tel: +45 8853 8086  
info@dk.tdk-lambda.com  
www.emea.lambda.tdk.com/dk



## TDK-Lambda UK Ltd.

Kingsley Avenue  
Ilfracombe  
Devon EX34 8ES  
United Kingdom  
Tel: +44 (0) 12 71 85 66 66  
Fax: +44 (0) 12 71 86 48 94  
info@uk.tdk-lambda.com  
www.emea.lambda.tdk.com/uk



## TDK-Lambda Ltd.

1 Alexander Yanai  
Segula  
Petah-Tikva  
Israel  
Tel: +9 723 902 4333  
Fax: +9 723 902 4777  
info@tdk-lambda.co.il  
www.emea.lambda.tdk.com/il



## C.I.S.

**Commercial Support:**  
Tel: +7 (495) 665 2627  
**Technical Support:**  
Tel: +7 (812) 658 0463  
info@tdk-lambda.ru  
www.emea.lambda.tdk.com/ru

## Local Distribution

