



35A Non-isolated SMT Point of Load with PMBus

Features	Benefits
• Only 0.45 in ² Board Space	• Less Board Area
• PMBus™ Compliant (Read & Write)	• Configurable Sequence & Fault Management
• Surface Mountable	• No Hand Operation
• Digital Adaptive Control	• Stability with Various Output Impedance
• Parallel Operation with Current Sharing	• Address High Current Applications

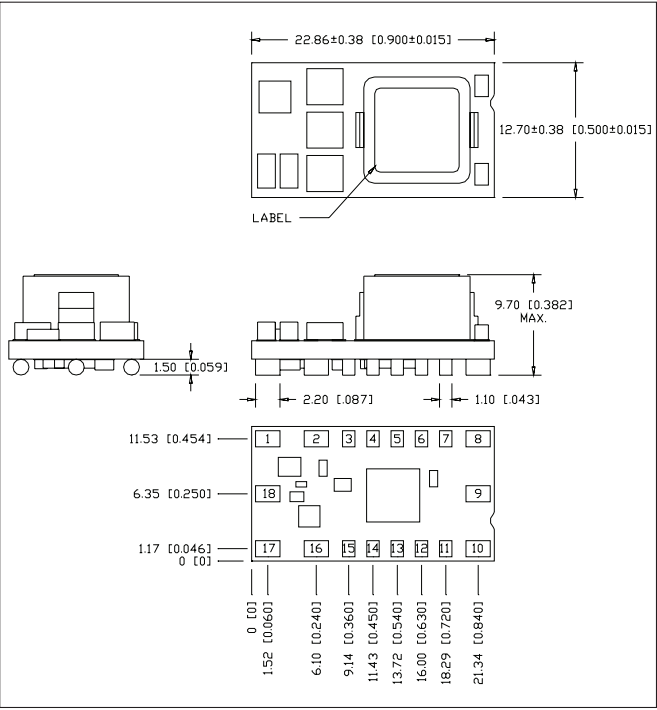


Specification			
Model		iJA	
DC Output Voltage	V	0.6 - 3.3V	
DC Input Voltage	V	8 - 14V	
Efficiency	%	85 - 94%	
Output Voltage Tolerance	%	±2	
Line Regulation	mV	4 (Typical)	
Load Regulation	mV	8 (Typical)	
External Load Capacitance	uF	400 - 2400	
Output Ripple and Noise	mVpp	10	
Overcurrent Protection (Typ)	A	40A	
Remote On / Off	-	Negative Logic	
Remote Sense	-	Yes	
Operating Temperature	°C	-40°C to 120°C (see thermal data on website)	
Storage Temperature	°C	-55°C to 125°C	
Safety Agency Approvals	-	IEC/EN 60950-1, UL/CSA 60950-1, CE mark (LVD & RoHS2)	
Weight	g	6.5	
Size (LxWxH)	mm/in.	22.9 x 12.7 x 9.7 (0.9 x 0.5 x 0.382)	
Warranty	yrs	3	

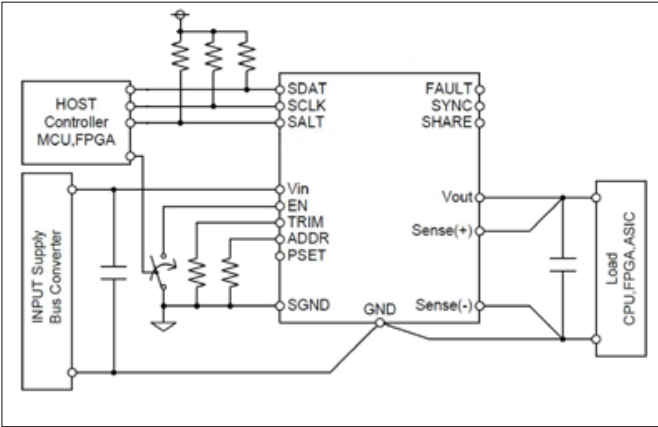
Model Selector					
Model	Input Voltage (V)	Output Current (A)	Output Voltage (V)	Remote On/Off	Pin 6 Function
iJA12035A007V-001-R	8 - 14	35	0.6 - 3.3	Negative	SALERT
iJA12035A007V-0P1-R	8 - 14	35	0.6 - 3.3	Negative	FAULT indication (parallel operation)

Preferred

Outline Drawing iJA Series



Typical Application Circuit iJA Series



Pin Assignment			
PIN	Function	PIN	Function
1	Power Ground (0V)	10	+V Output
2	Power Ground (0V)	11	+ Remote Sense
3	Remote On/Off	12	- Remote Sense
4	PMBus Clock	13	Output Trim
5	PMBus Data	14	Current Share
6	PMBus Alert/Fault	15	Synchronize
7	PMBus Address	16	Power Ground (0V)
8	+V Output	17	Power Ground (0V)
9	+V Output	18	+V Input



TDK-Lambda France SAS

ZAC des Delaches
CS 41077
9 rue Thuillere
91978 Villebon Courtaboeuf
France
Tel: +33 1 60 12 71 65
Fax: +33 1 60 12 71 66
france@fr.tdk-lambda.com
www.fr.tdk-lambda.com



Italy Sales Office

Via dei Lavoratori 128/130
20092 Cinisello Balsamo (MI)
Italy
Tel: +39 02 61 29 38 63
Fax: +39 02 61 29 09 00
info.italia@it.tdk-lambda.com
www.it.tdk-lambda.com



Netherlands

info@tdk-lambda.nl
www.tdk-lambda.nl



TDK-Lambda Germany GmbH

Karl-Bold-Strasse 40
77855 Achem
Germany
Tel: +49 7841 666 0
Fax: +49 7841 5000
info.germany@de.tdk-lambda.com
www.de.tdk-lambda.com



Austria Sales Office

Aredstrasse 22
2544 Leobersdorf
Austria
Tel: +43 2256 655 84
Fax: +43 2256 645 12
info.germany@de.tdk-lambda.com
www.de.tdk-lambda.com



Switzerland Sales Office

Bahnhofstrasse 50
8305 Dietlikon
Switzerland
Tel: +41 44 850 53 53
Fax: +41 44 850 53 50
info@de.tdk-lambda.com
www.de.tdk-lambda.com



TDK-Lambda UK Ltd.

Kingsley Avenue
Ilfracombe
Devon EX34 8ES
United Kingdom
Tel: +44 (0) 12 71 85 66 66
Fax: +44 (0) 12 71 86 48 94
powersolutions@uk.tdk-lambda.com
www.uk.tdk-lambda.com



TDK-Lambda Ltd.

Kibbutz
Givat Hashlosa 48800
Israel
Tel: +9 723 902 4333
Fax: +9 723 902 4777
info@tdk-lambda.co.il
www.tdk-lambda.co.il



C.I.S.

Commercial Support:

Tel: +7 (495) 665 2627

Technical Support:

Tel: +7 (812) 658 0463

info@tdk-lambda.ru

www.tdk-lambda.ru

Local Distribution

