

- Standard SIP Footprint (DOSA)
- 6.0-14VDC Input
- 0.8 - 5.5V Outputs
- Through Hole Mounting
- Low 12.7mm Profile
- Non Isolated Output

iBD Series

7A point of load converter

iBD Features and Benefits

Features

- High operating efficiency (up to 92%)
- Constant 240kHz switching frequency
- Starts with pre-biased output

Benefits

- Reduced system heating
- Easier system filtering
- Supports complex digital systems

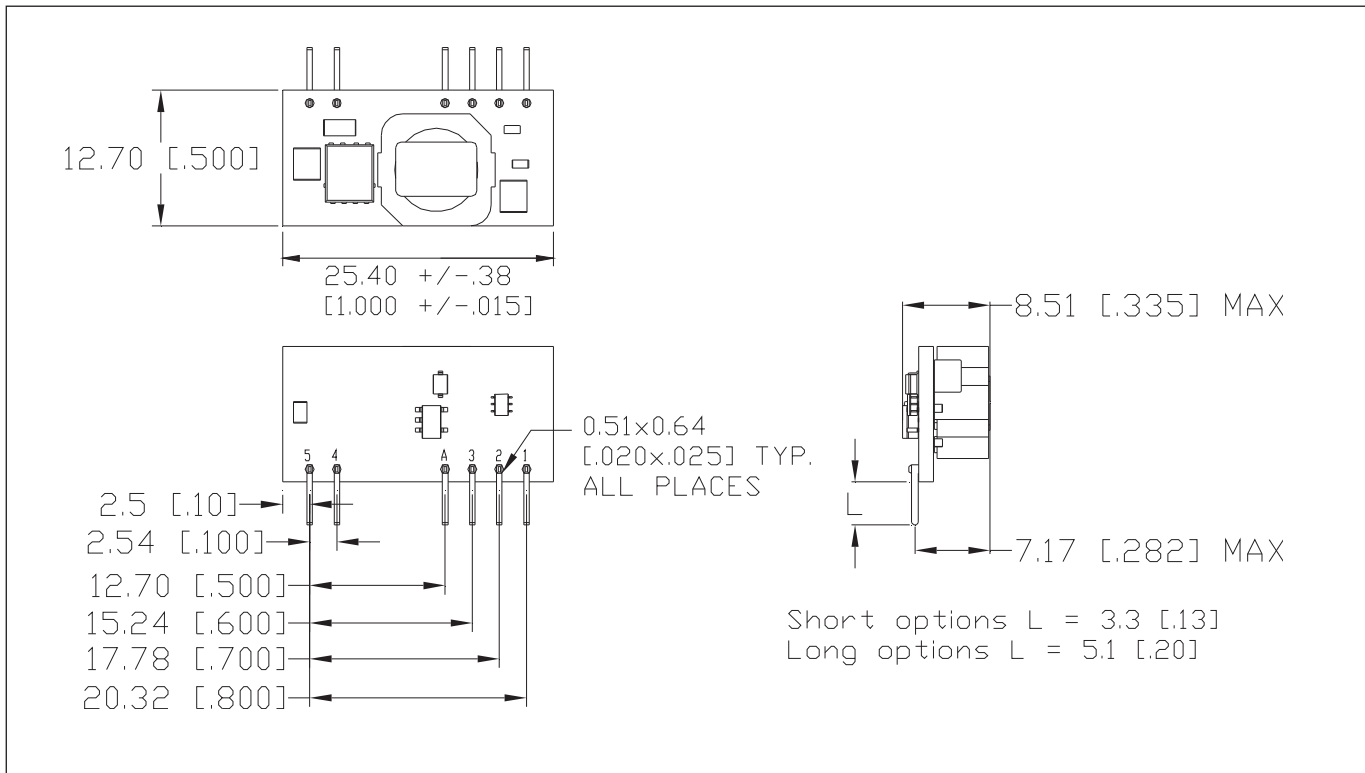
Specifications

ITEMS	MODEL	iBD
Nominal Output Voltage	VDC	0.8 - 5.5V
Input Voltage Range	VDC	6 - 14V
Input Current (max)	A	7A
Output Voltage Tolerance	%	±3.5
Ripple & Noise (max) (pk - pk)	mV	125
Line Regulation (max)	%	0.2%
Load Regulation (typical)	mV	20
Overload Protection	A	Inception- 11.5A; Short circuit - auto recovery
Overvoltage Protection	-	N/A
Remote Sense	-	Yes
Remote On / Off	-	Positive Logic standard. Negative logic available, see detailed datasheet
Sequencing	-	Yes
Temperature (operating)	°C	-40 to 105 (See detailed datasheet for derating)
Temperature (storage)	°C	-55 to 125
Humidity (operating)	%RH	20-95 Non condensing
Humidity (storage)	%RH	10-95 Non condensing
Cooling	-	Convection or forced air (See detailed datasheet for derating)
Isolation Voltage	-	None
Vibration (non operating)	-	5 to 50Hz@0.5g(4.9m/s ²), & 50 to 500Hz@1.5g(14.7m/s ²) per Bellcore TR-EOP-000063-5.4.4
Shock	-	196.1m/s ²
Safety Agency Certifications	-	Pending - UL60950 (US and Canada), VDE0805 (IEC60950), CB scheme (IEC60950)
Weight (max)	g	6
Size (LxWxH)	mm	25.4 x 8.51 x 12.7
Warranty	yrs	3 Years

Model Selector

Model	Output Voltage	Output Adjust	Output Curr. (A)	Max. Output Power (W)	Efficiency at Full Load (%)
iBD12007A008V-000-R	0.80 - 5.5	0.80 - 5.5	7	35	92% at 5V

Outline Drawing iBD



Pinout

PIN	Function
1	Vout
2	Trim
3	GND
A	Sequencing
4	Vin
5	On / Off

TDK-LAMBDA EMEA

www.emea.tdk-lambda.com



TDK-Lambda France SAS

Route de Grivery
ZAC des Delaches
CS 41077
91978 Courtaboeuf Cedex
France
Tel: +33 1 60 12 71 65
Fax: +33 1 60 12 71 66
france@fr.tdk-lambda.com
www.fr.tdk-lambda.com



Italy Sales Office
Via dei Lavoratori 128/130
20092 Cinisello Balsamo (MI)
Italy
Tel: +39 02 61 29 38 63
Fax: +39 02 61 29 09 00
info.italia@it.tdk-lambda.com
www.it.tdk-lambda.com



TDK-Lambda Germany GmbH

Karl-Bold-Strasse 40
77855 Achern
Germany
Tel: +49 7841 666 0
Fax: +49 7841 5000
info.germany@de.tdk-lambda.com
www.de.tdk-lambda.com



Austria Sales Office
Aredstrasse 22
2544 Leobersdorf
Austria
Tel: +43 2256 655 84
Fax: +43 2256 645 12
info.germany@de.tdk-lambda.com
www.de.tdk-lambda.com



TDK-Lambda UK Ltd.

Kingsley Avenue
Ilfracombe
Devon EX34 8ES
United Kingdom
Tel: +44 (0) 12 71 85 66 66
Fax: +44 (0) 12 71 86 48 94
powersolutions@uk.tdk-lambda.com
www.uk.tdk-lambda.com



Nemic Lambda Ltd.

Kibbutz
Givat Hashlosha 48800
Israel
Tel: +9 723 902 4333
Fax: +9 723 902 4777
info@nemic.co.il
www.nemic.co.il



Russia

Technical Support:
St Petersburg
Tel: +7 (812) 6580463
Sales:
Moscow
Tel: +7 (499) 7557732
info@tdk-lambda.ru
www.tdk-lambda.ru

LOCAL DISTRIBUTION

