

NUPS960-24 – 40A DIN Rail DC UPS Module





■ **Main Features:**

- Low cost DC-UPS with charging function of a 24Vdc battery
- Suitable for power supplies with adjustable output
- Easy connection by unique IN / OUT connector
- Instantaneous LOAD switch to BACKUP mode
- Maximum battery capacity 40Ah
- Load current: 40A Max.
- Battery protection against reverse polarity connection and overcurrent
- Battery deep discharge protection
- To be used with lead acid and lithium batteries (types compatible with lead acid batteries)



INDEX	
	Page
Installation Requirements	2
Declaration of Conformity	2
User Instructions	3
Connections	4
Dimensions	4
Distances	4
Mounting	4
Dismounting	5
Input Connections	5
Environment	5
Accessory Device	5

READ THIS CAREFULLY BEFORE INSTALLATION!	LEGGERE ATTENTAMENTE PRIMA DELL'INSTALLAZIONE!	A LIRE ATTENTIVEMENT AVANT L'INSTALLATION!
<p>Before operating, read this document thoroughly and retain it for future reference. Non-respect of these instructions may reduce performances and safety of the devices and cause danger for people and property. The products must be installed, operated, serviced and maintained by qualified personnel in compliance with applicable standards and regulations. Don't open the device, it does not contain replaceable components, the tripping of the internal fuse (if included) is caused by an internal failure. Don't repair or modify the device, if malfunction or failure should occur during operation, send unit to the factory for inspection. No responsibility is assumed by Nextys SA for any consequences deriving from the use of this material.</p>	<p>Prima dell'installazione, leggere attentamente questo documento istruzioni e conservarle per future consultazioni. L'inosservanza delle presenti istruzioni può compromettere le caratteristiche e la sicurezza dell'apparecchio e causare pericolo per le persone e le cose. Il prodotto deve essere installato, utilizzato e riparato da personale qualificato e nel rispetto delle normative vigenti. Non aprire il prodotto, esso non contiene componenti sostituibili, il guasto del fusibile interno (se previsto) è causato da un guasto interno. Non tentare di riparare o modificare il prodotto, se durante il funzionamento si verificano guasti o anomalie, inviarlo al produttore per il controllo. Nextys SA non si assume nessuna responsabilità per qualunque conseguenza derivante dall'uso di questo materiale.</p>	<p>Lisez ces instructions avant l'installation, conservez ce manuel pour référence future. Défaut de se conformer à ces instructions peut affecter les caractéristiques et la sécurité du dispositif de danger et de causer aux personnes ou aux biens. Les produits doivent être installés, exploités et entretenus par personnel qualifié et en conformité avec les règlements. N'ouvrez pas le produit, il ne contient aucune pièce réparable, le déclenchement du fusible interne (le cas échéant) est causé par un défaut interne. Ne pas essayer de réparer ou modifier le produit ; si des défaillances se produisent pendant le fonctionnement ou les dysfonctionnements, le retourner au fabricant pour inspection. Nextys SA n'assume aucune responsabilité des conséquences éventuelles découlant de l'utilisation des produits.</p>
CAUTION	ATTENZIONE	AVERTISSEMENT
<p>RISK OF BURNS, EXPLOSION, FIRE, ELECTRICAL SHOCK, PERSONAL INJURY. Never carry out work on live parts! Danger of fatal injury! The product's enclosure may be hot, allow time for cooling product before touching it. Do not allow liquids or foreign objects to enter into the products. To avoid sparks, do not connect or disconnect the device before having previously turned-off input power and wait for internal capacitors discharge (minimum 1 minute). Radio interference! This is an electrical appliance according to EN55032, class A. It may cause radio interference in residential areas.</p>	<p>RISCHIO USTIONI, ESPLOSIONE, INCENDIO, SCOSSA, LESIONI GRAVI. Non effettuare mai operazioni sulle parti sotto tensione! Pericolo di lesioni letali! Il contenitore può scottare, lasciar quindi raffreddare il dispositivo prima di toccarlo. Non far entrare liquidi o oggetti estranei nel dispositivo. Per evitare scintille, non collegare o scollegare l'apparecchiatura prima di avere tolto tensione di ingresso e prima che sia avvenuta la scarica dei condensatori interni (min. 1 minuto). Interferenza radio! Questo apparecchio è un dispositivo di classe A secondo lo standard EN55032. Può causare interferenze radio nelle aree residenziali.</p>	<p>RISQUE DE BRULURES, EXPLOSION, INCENDIE, ELECTROCUTION, DOMMAGE AUX PERSONNES. Ne jamais effectuer des opérations sur les parties sous tension! Danger de mort! Le récipient peut produire des brulures, le laisser refroidir avant de toucher l'appareil. Ne faites pas pénétrer des liquides ou des corps étrangers dans l'appareil. Pour éviter des étincelles, ne pas connecter ou déconnecter l'équipement jusqu'à ce que vous avez supprimé la tension d'entrée et avant qu'elle n'ait lieu de décharge des condensateurs internes (minimum 1 minute). Perturbations radioélectriques! Cet appareil est un dispositif de catégorie A selon le standard EN55032. Il peut causer des perturbations radioélectriques dans les zones résidentielles.</p>

DECLARATION OF CONFORMITY				
		<p>NEXTYS SA. Via Luserte Sud 6, 6572 Quartino - Switzerland Phone: +41-(0)91 840 14 46 / 840 14 48; Fax: +41-(0)91 840 14 47 E-mail: info@nextys.com</p>		
<p>This Declaration of Conformity is suitable to the European Standard EN45014 "General criteria for supplier's declaration of conformity". We declare under our sole responsibility that the device included in this box, has passed all processing inspections and the final test and it is in conformity with the product requirements, including all reference codes and supply specifications.</p>				
<p>ROHS compliance: the product respects the EC requirements related to ROHS substances, according to "Restriction of Hazardous Substances" as per document 2011/65/UE. REACH compliance: the product respects the EC requirements related to REACH SVHC directive (EC) 1907/2006. Note: all the reported information comes from our suppliers, NEXTYS SA. has not run any test to evaluate if the specific elements are present.</p>				
<p>All indicated devices are designed according to the latest Reference standards, if not expressly indicated through the official documents or files, they have been tested through our internal pre-compliance testing. Consult directly on www.nextys.com the reference standards applied to each model.</p>				
Code	Description			
NUPS960-24	DC UPS module IN 24...30Vdc / OUT 40A			
Certifications and approvals				
Reference standards	2014/35/EU (2014) 2014/30/EU (2014) EN61010-1 EN61010-2-201 UL508 EN61000-6-2 - EN61000-4-2 - EN61000-4-3 - EN61000-4-4 - EN61000-4-5 EN61000-6-4 - EN55011	(Low Voltage Directive) (EMC directive) (Safety Standard) (Safety Standard) (Safety Standard) (Generic immunity standard for industrial environments) (Electrostatic discharge immunity test) (Radiated, radio-frequency, electromagnetic field immunity test) (Electrical fast transient/burst immunity test) (Surge immunity test) (Generic emission standard for industrial environments) (CISPR11 - EMC)		

USER INSTRUCTIONS

<p>1) Description: NUPS960-24 is a DIN rail mountable DC UPS module rated 40A usable in systems with a nominal voltage of 24V.</p> <p>Functions:</p> <ul style="list-style-type: none"> • Battery +: connection to battery PLUS • Battery -: connection to battery MINUS • DC +: connection to power supply output PLUS / load PLUS • DC -: connection to power supply output MINUS / load MINUS • DC OK LED: green LED; when the light is ON, it indicates that the DC BUS voltage is OK ($> 22.0V_{dc} \pm 0.5V$) and that it is feeding the load. • Battery Fail LED: red LED; when the light is ON, it indicates that the battery is in deep discharge condition ($< 19.0V_{dc} \pm 0.5V$). When Battery Fail LED is ON, it is recommended to safely shut down the load, in order to avoid unexpected power loss. • Battery Discharge LED: yellow LED; when the light is ON, it indicates that the battery starts back-up feed of the load. Note: if the battery is not connected, the LED is always turned ON. • DC OK relay: a 1A/24V SPDT dry contact switches when the DC BUS voltage is OK ($> 22.0V_{dc} \pm 0.5V$) and it is feeding the load. • Battery Fail relay: a 1A/24V SPDT dry contact switches when the battery is in deep discharge condition ($< 19.0V_{dc} \pm 0.5V$). • Battery Discharge relay: a 1A/24V SPDT dry contact switches when the battery starts back-up feed of the load. The remote signal informs that the system is no more feed by the DC power supply e.g. or for a power supply failure, thus giving a warning even if there is not a general and visible black-out but only a local failure. • Charging circuitry: regulates and controls battery charging current. The maximum charge current of the battery is 2A and depends on the state of the battery. Note: the charging circuitry is active when the DC voltage is higher than the battery voltage. For faster battery charging, set the DC BUS voltage to at least 28Vdc. • Battery fuse: protects the battery and its cables against dangerous over currents. The product is factory supplied with two 25A car blade fuses (maximum allowed value), they can be replaced with a lower value fuses for a better protection with small batteries. Note: if the fuses blows and if the module is feed only by the battery (without any voltage connected to the DC + and DC - terminals), all the LEDs of the module turn OFF. <p>NUPS960-24 restart after a long duration black out with low battery. In such condition the module has disconnected the battery from the load (to prevent total discharge and thus battery damage). It can be started up only by feeding DC +/- with a 24Vdc source (e.g. the power supply). By connecting only the discharged battery to Battery +/- terminals the module cannot be restarted. If the module is feeding the load from the back-up battery and if a short circuit makes the battery protection fuses to blow, the module can be re-started (after fuses replacement) only by first connecting a 24Vdc power source to DC +/- terminals.</p>
<p>2) Installation: use DIN-rails according to EN60715. Installation should be made vertically (see Fig.4). For better device stability fix the rail to the wall close to the point where the device is to be mounted. In order to guarantee sufficient convection, we recommend observing a minimum distance to other modules (see Fig.3). The device is provided with a thermal protection; a limited air flow can cause a reduction of the charging current of the battery. The DC UPS automatically restores the maximum charging current of the battery after cooling. To get normal operation reduce the temperature of the air surrounding of the DC UPS or increase the ventilation (see Fig.8).</p>
<p>3) Connections: the device is equipped with pluggable screw terminals. To avoid sparks, do not connect or disconnect the connectors before having previously turned-off input power and waited for internal capacitors discharge (minimum 1 minute). In order to comply with UL certification, use appropriate copper cables of indicated cross section, designed for an operating temperatures of: 60°C for ambient up to 45°C 75°C for ambient up to 60°C 90°C for ambient up to 70°C Strip the connecting ends of the wires according to the indication and ensure that all strands of a stranded wire enter the terminal connection (see Fig.5).</p>
<p>4) Battery protection: protects the battery and its cables against dangerous over currents. Two 25A / 32V ATO car blade type fuses are factory supplied for battery protection. They may only be replaced by fuses with the same electrical ratings (e.g. Littelfuse 0287025.PXCN) (see Fig.6).</p>
<p>5) DC input connection: connect (+) to positive pole and (-) to negative pole. Rated voltage 24...30Vdc.</p>
<p>6) Output connection: The device is suitable for SELV and PELV circuitry. Check Uout before connecting the NUPS960-24 to the load.</p>
<p>7) Protection: the device is protected against</p> <ul style="list-style-type: none"> • Reverse battery connection: it prevents failures due to reverse battery polarity connection. • Protection diode: it avoids the voltage and current supplied by the battery to circulate through the power supply output circuitry and prevents failures due to reverse polarity connection. • Deep discharge battery protection circuit: this circuit disconnects the battery when its voltage drops under deep discharge voltage, to avoid battery damage.
<p>8) General information on batteries</p> <p>Rated voltage: is the voltage that the battery can supply in condition of full charge and rated current. Battery voltage without load is always higher of rated voltage.</p> <p>Capacity: given in Ah (Ampere / hour) measured at 25°C / 77°F. (e.g. at 10Ah battery can supply 10A for 1 hour or 1A for 10 hours).</p> <p>Charging current: is the current to be applied to charge the battery, usually indicated by the manufacturer. A charging current higher than specified can damage the battery or shorten its life, a too low charging current results in a too long charging time and uncompleted or partial charge, thus reduced Ah capacity. Charging current of sealed lead batteries would never exceed 20% of capacity of the battery. The battery limits by itself the charging current supplied by the battery charger, depending on its charge status.</p> <p>Note: when choosing the capacity of the battery, consider that real capacity indicated by manufacturers can vary compared with rated capacity depending quality and cost, capacity is always given for new battery at 25°C/77°F, but during battery life it's capacity decreases due to ageing, even if the battery is not used, so calculate battery capacity and duration considering the worst operating conditions.</p> <p>Discharge voltage: the right charging voltage value is given by the manufacturer; generally the voltage / current source must be capable to supply a voltage 10-15% higher than rated voltage of the battery. If charging voltage is lower than +10% of battery rated voltage, charging time increases and produce an uncompleted charge and thus a reduced capacity. Charging voltages higher than +20% of rated voltage can damage the battery and shortens its life.</p> <p>Charging time: varies according to charging current / voltage and the battery capacity.</p> <p>Discharged battery: a battery is considered discharged when its voltage, measured applying a 50% load, is lower than -10% of rated voltage, or when voltage measured with no load is lower than rated voltage.</p> <p>Total discharge: when a battery gives a voltage between 0 - 60% of rated voltage, it's totally discharged. Total or deep discharge reduces battery life and must be avoided. Disconnect the battery from the load when voltage is lower than e.g. 18V.</p> <p>Operating temperature: for a long duration of the battery operating temperature must be kept within 10°C/+50°F...30°C/+ 86°F. Battery duration decreases outside this range. At low temperatures the battery might not supply rated Ah, because electrochemical reaction are less efficient.</p> <p>Overload – short circuit battery protection: battery and its connecting cables must be protected with overcurrent protection devices (fuses, circuit breakers, etc.) able to cut-off dangerous currents.</p>

Fig.1 Connections	Fig.2 Dimensions	Fig.3 Distances																	
<p>Just for reference</p>	<p>(1) Battery connection (2) DC input / DC output (load) (3) Diagnostic Output: DC OK (dry contact, NO) (4) Diagnostic Output: Battery Fail (dry contact, NO) (5) Diagnostic Output: Battery Discharge (dry contact, NO) (6) Green LED: DC OK (7) Red LED: Battery Fail (8) Yellow LED: Battery Discharge</p> <p>Input / Battery / Output connections:</p> <ul style="list-style-type: none"> ▪ BATTERY + = Positive DC (Battery) ▪ BATTERY - = Negative DC (Battery) ▪ DC + = Positive DC (Power supply) / Positive DC (Load) ▪ DC - = Negative DC (Power supply) / Negative DC (Load) 		<table border="1"> <thead> <tr> <th>Dimension</th> <th>mm (inc)</th> </tr> </thead> <tbody> <tr> <td>W</td> <td>40.0 (1.57)</td> </tr> <tr> <td>D</td> <td>110.0 (4.33)</td> </tr> <tr> <td>H</td> <td>115.0 (4.52)</td> </tr> </tbody> </table>	Dimension	mm (inc)	W	40.0 (1.57)	D	110.0 (4.33)	H	115.0 (4.52)		<table border="1"> <thead> <tr> <th>Distance</th> <th>mm (inch)</th> </tr> </thead> <tbody> <tr> <td>A</td> <td>20 (0.8)</td> </tr> <tr> <td>B</td> <td>50 (1.97)</td> </tr> </tbody> </table>	Distance	mm (inch)	A	20 (0.8)	B	50 (1.97)
Dimension	mm (inc)																		
W	40.0 (1.57)																		
D	110.0 (4.33)																		
H	115.0 (4.52)																		
Distance	mm (inch)																		
A	20 (0.8)																		
B	50 (1.97)																		

Fig.4 Mounting / Dismounting instructions	
<p>For DIN rail fastening according to IEC 60715 TH35-7.5(-15) Mounting as shown in figure, with input terminals on lower side, with suitable cooling and maintaining a proper distance between adjacent devices as specified in the I.S. manual of each family.</p>	
Mounting	
<ol style="list-style-type: none"> 1. Tilt the unit slightly backwards. 2. Fit the unit over the top edge of the rail. 3. Slide it downward until it hits the stop. 4. Press against the bottom for locking. 	

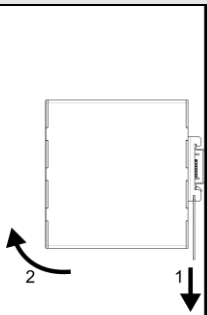
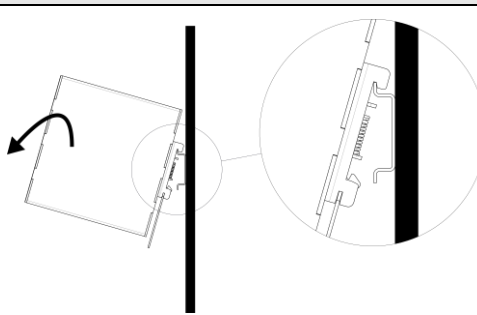
Dismounting		
1. Pull down the slide clamp lever 2. Tilt the unit upward 3. Unhook the unit from the rail	 <p>1 & 2</p>	 <p>3</p>

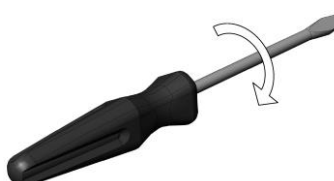
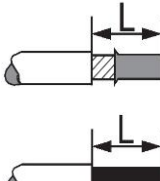
Fig.5 Recommended connecting cable			
	Recommended Tightening torque Input / Battery / Output 1.2Nm 10.4lbf in Signals Spring terminals		Input / Battery / Output Solid: 0.5-13.3mm ² / 20-6AWG Stranded: 0.5-13.3mm ² / 20-6AWG L: 13.0-14.0mm / 0.51-0.55in Signals Solid: 0.08-0.5mm ² / 28-20AWG Stranded: 0.08-0.5mm ² / 28-20AWG L: 7.0-8.0mm / 0.28-0.32in

Fig.6 Input protection
The product is provided with two 25A / 32V ATO car blade type fuses.

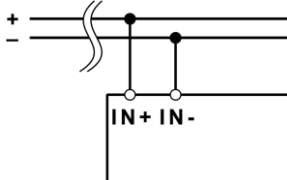
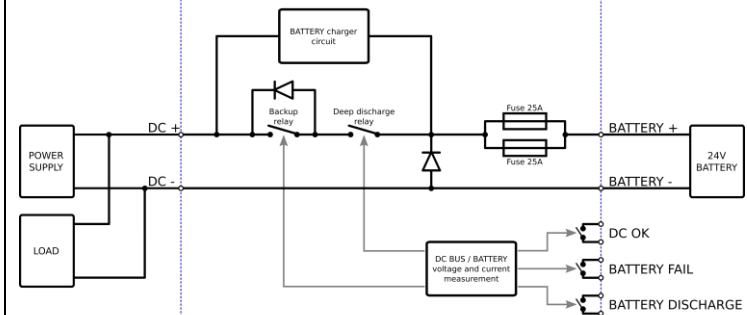
Fig.7 Input connections	
DC Line	Schematic connection
	

Fig.8 Environment	
Operating temperature	Derating
- 40...+ 70°C 5...95% r.H. non condensing	- 0.5A/°C over 60°C

Note
<ul style="list-style-type: none"> ▪ Data may change without prior notice in order to improve the product. ▪ Please refer to the latest version of the "Instruction Manual" for each product by visiting www.nextys.com

See also the products below that can be used in conjunction with NUPS960-24 units	(accessory device)
<ul style="list-style-type: none"> ▪ OR50 50A Active ORing Controller ▪ BU150U 150J Buffer Module 	