



- Compact Footprint / Low-Profile
- 5V, 12V, 24V & 48V Inputs
- 3.3 - 15V Single +/- 12V Dual Outputs
- Output Voltage Adjustment
- Input-Output Isolation
- Integral Input Fuse

Key Market Segments & Applications

Telecommunication equipment
 Datacom equipment
 Instrumentation products
 Microprocessor bases systems

PC Series
Compact, Low-Power
DC-DC Converters

PC Features and Benefits

Features

- ◆ Compact
- ◆ Self contained
- ◆ Multiple Input Voltage configurations
- ◆ Five sided metal case

Benefits

- ◆ Less pcb area used
- ◆ Requires no external components
- ◆ Easier pcb layout
- ◆ Lower radiated noise

Specifications

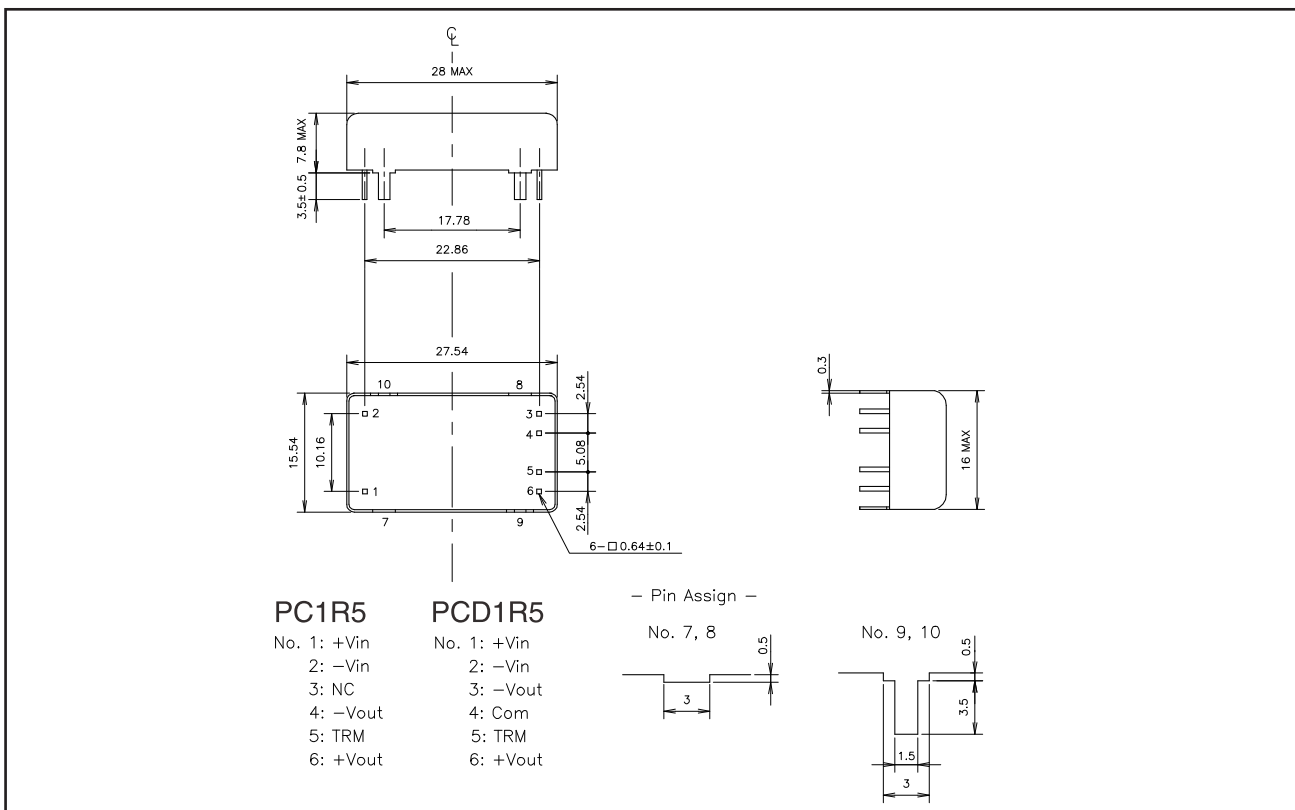
		Output Volt.	3.3V	5V	12V
ITEMS					
DC Input	-	5V: 4.5-9.0V, 12V: 9-18V, 24V: 18-36V, 48V: 36-72V			
Efficiency	-	66 to 85% model dependant			
Output Voltage Accuracy	-	±5%			
Isolation Voltage	-	500VAC 1 min. Input-Output, Input-Chassis			
Output Adjustment	-	2.84V-3.67V	4.3V-6V	12V-15V	
Line Regulation	mV	20		30	
Load Regulation	mV	40		100	
Preload	-	No preload required			
Output Ripple	mV	120			
Overcurrent Protection	-	Output current limiting with automatic recovery.			
Overvoltage protection	-	No			
Remote On/Off	-	PC6 / PCD6 models only			
Cooling	-	Convection Cooled			
Operating Temp. Range	-	-20 to 70°C, derate linearly to 40% load from 50 to 70°C			
Storage Temperature	-	-40°C to 85°C			
Humidity (Non condensing)	-	20 - 95% RH			
Temperature Drift	mV	50		100	
Isolation Resistance	-	>50M at 25°C and 70% RH 500 VDC Output-Chassis			
Shock	-	100G			
Vibration (non operating)	-	10-55-10 Hz (sweep for 15 min.) amplitude 1.5mm			
Weight	-	PC1R5 - 6g, PC3 models - 10g, PC6 models - 17g			
Size (L"x W"x H")	mm	PC1R5: 27.9 x 16 x 7.9	PC3: 28.4 x 20.6 x 8.4	PC6: 40.9 x 25.9 x 8.4	
Warranty	-	2 years			

Note: See Installation Manual for full specifications, test methods of parameters and application notes.

Model Selector

Output Voltage	Max Current (A)	Output Power (W)	5V Input	12V Input	24V Input	48V Input
Single Outputs						
3.3	0.4	1.32	PC1R5-5-3.3	PC1R5-12-3.3	PC1R5-24-3.3	PC1R5-48-3.3
3.3	0.6	1.98	PC3-5-3.3	PC3-12-3.3	PC3-24-3.3	PC3-48-3.3
3.3	1.2	3.96	PC6-5-3.3	-	-	-
3.3	1.5	4.95	-	PC6-12-3.3	PC6-24-3.3	PC6-48-3.3
5.0	0.3	1.5	PC1R5-5-5	PC1R5-12-5	PC1R5-24-5	PC1R5-48-5
5.0	0.6	3.0	PC3-5-5	PC3-12-5	PC3-24-5	PC3-48-5
5.0	1.0	5.0	PC6-5-5	-	-	-
5.0	1.2	6.0	-	PC6-12-5	PC6-24-5	PC6-48-5
12.0	0.125	1.5	PC1R5-5-12	PC1R5-12-12	PC1R5-24-12	PC1R5-48-12
12.0	0.25	3.0	PC3-5-12	PC3-12-12	PC3-24-12	PC3-48-12
12.0	0.5	6.0	PC6-5-12	PC6-12-12	PC6-24-12	PC6-48-12
Dual Outputs						
±12.0	0.06	1.44	PCD1R5-5-1212	PCD1R5-12-1212	PCD1R5-24-1212	PCD1R5-48-1212
±12.0	0.125	3.0	PCD3-5-1212	PCD3-12-1212	PCD3-24-1212	PCD3-48-1212
±12.0	0.25	6.0	PCD6-5-1212	PCD6-12-1212	PCD6-24-1212	PCD6-48-1212

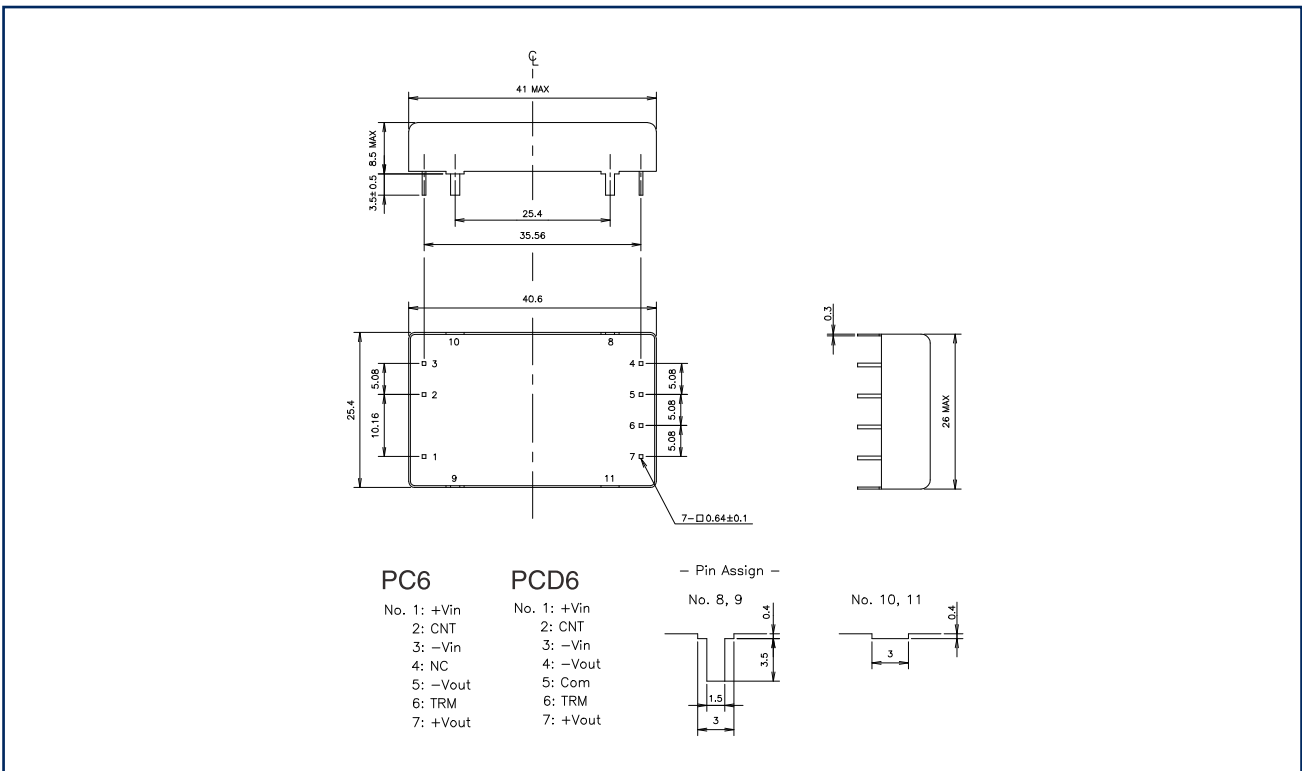
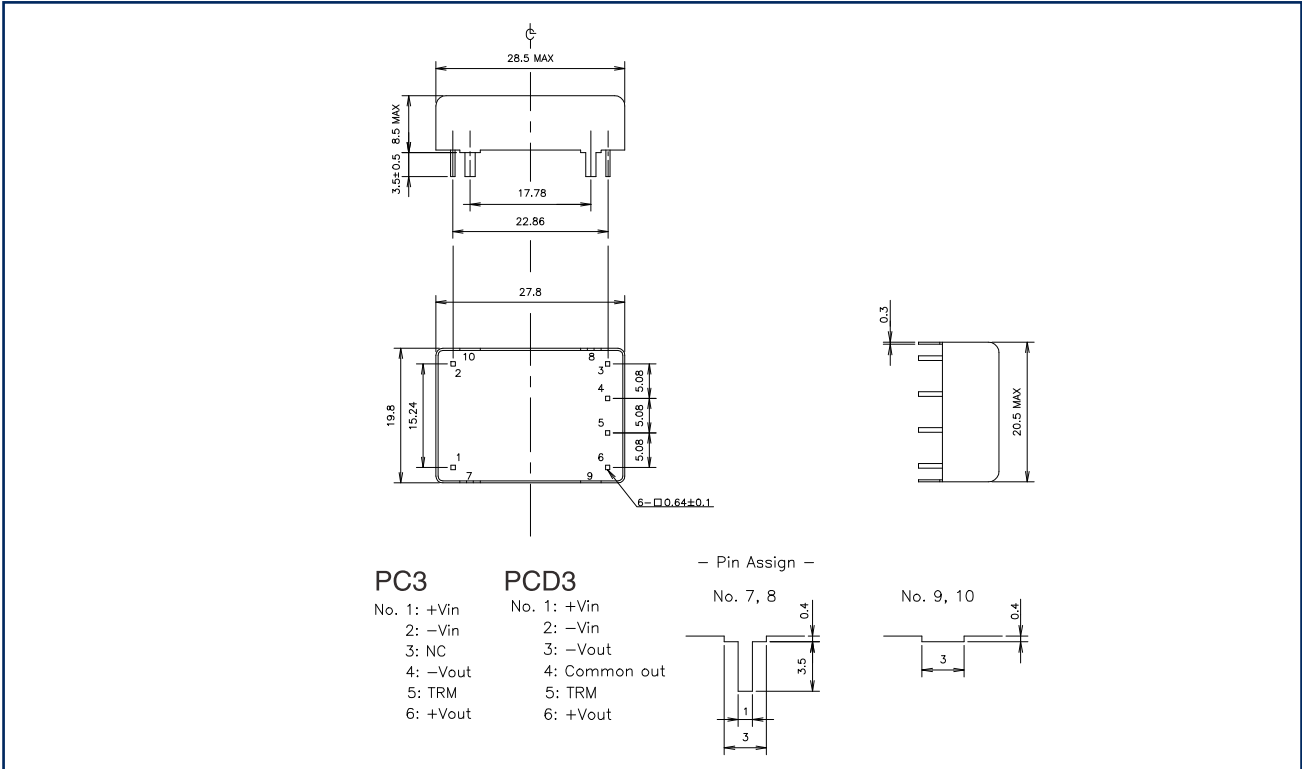
Outline Drawing



Pinout

Pin Description	Function
-Vin	Negative Input Terminal
+Vin	Positive Input Terminal
+V	Positive Output Terminal
-V	Negative Output Terminal
TRIM	Output adjustment Trim pin
CNT	Remote ON/OFF

Outline Drawing



TDK-LAMBDA EMEA

www.emea-tdk-lambda.com



TDK-Lambda France SAS

ZAC des Delaches
 BP 1077-Gometz-le-Chatel
 91940 Les Ulis
 France
 Tel: +33 1 60 12 71 65
 Fax: +33 1 60 12 71 66
france@fr.tdk-lambda.com
www.fr.tdk-lambda.com



Italy Sales Office
 Via dei Lavoratori 128/130
 20092 Cinisello Balsamo (MI)
 Italy
 Tel: +39 02 61 29 38 63
 Fax: +39 02 61 29 09 00
info.italia@it.tdk-lambda.com
www.it.tdk-lambda.com



TDK-Lambda Germany GmbH

Karl-Bold-Strasse 40
 77855 Achern
 Germany
 Tel: +49 7841 666 0
 Fax: +49 7841 5000
info.germany@de.tdk-lambda.com
www.de.tdk-lambda.com



Austria Sales Office
 Aredstrasse 22
 2544 Leobersdorf
 Austria
 Tel: +43 2256 655 84
 Fax: +43 2256 645 12
info.germany@de.tdk-lambda.com
www.de.tdk-lambda.com



TDK-Lambda UK Ltd.

Kingsley Avenue
 Ilfracombe
 Devon EX34 8ES
 United Kingdom
 Tel: +44 (0) 12 71 85 66 66
 Fax: +44 (0) 12 71 86 48 94
powersolutions@uk.tdk-lambda.com
www.uk.tdk-lambda.com



Nemic Lambda Ltd.

Kibbutz
 Givat Hashlosha 48800
 Israel
 Tel: +9 723 902 4333
 Fax: +9 723 902 4777
info@nemic.co.il
www.nemic.co.il



Russia

Technical Support:
 St Petersburg
 Tel: +7 (812) 6580463
 Sales:
 Moscow
 Tel: +7 (499) 7557732
info@tdk-lambda.ru
www.tdk-lambda.ru

LOCAL DISTRIBUTION

