

INTRODUCTION

The following document details the casing for Vega. The unit is available in several case styles to suit different mains input options as follows:

- Screw Terminal 6/32 8.3mm barrier strip (vertical or horizontal)
- 6.35mm quick connect spade terminals (Fastons)
- IEC 320 switched connect
- Customer air option. (No fan or endcap)

All endcap options are field replaceable (by trained service personnel) The endcaps are removeable from the fan end without the need to remove the power supply from its mountings.

Tolerances (Unless otherwise stated) +/-0.5

09	65786	06/08/2015
REV.	MOD	DATE
REVISIONS		

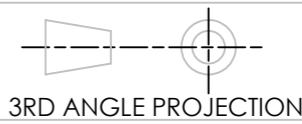
MATERIAL SPECIFICATION N/A	COMMENTS Tolerances (Unless otherwise stated) +/-0.5	TDK-Lambda <small>TDK-Lambda UK Limited. http://www.uk.tdk-lambda.com</small>	TITLE VEGA OUTLINE DRAWINGS	SHEET 1 of 5
FINISH SPECIFICATION N/A			L.U.K. DRAWING NUMBER 69210	SCALE 2:3

NOTE THIS DRAWING IS PRODUCED IN SOLIDWORKS.
ALL CHANGES MUST BE EFFECTED THROUGH THE CAD SYSTEM.
DRAWN TO BS8888

This drawing and any information or descriptive matter contained therein are the confidential and copyright property of TDK-Lambda UK Limited. Neither the whole nor any extract may be disclosed, loaned, copied, or used for manufacturing or tendering purpose without their written consent.

PROJECT
Vega Cases

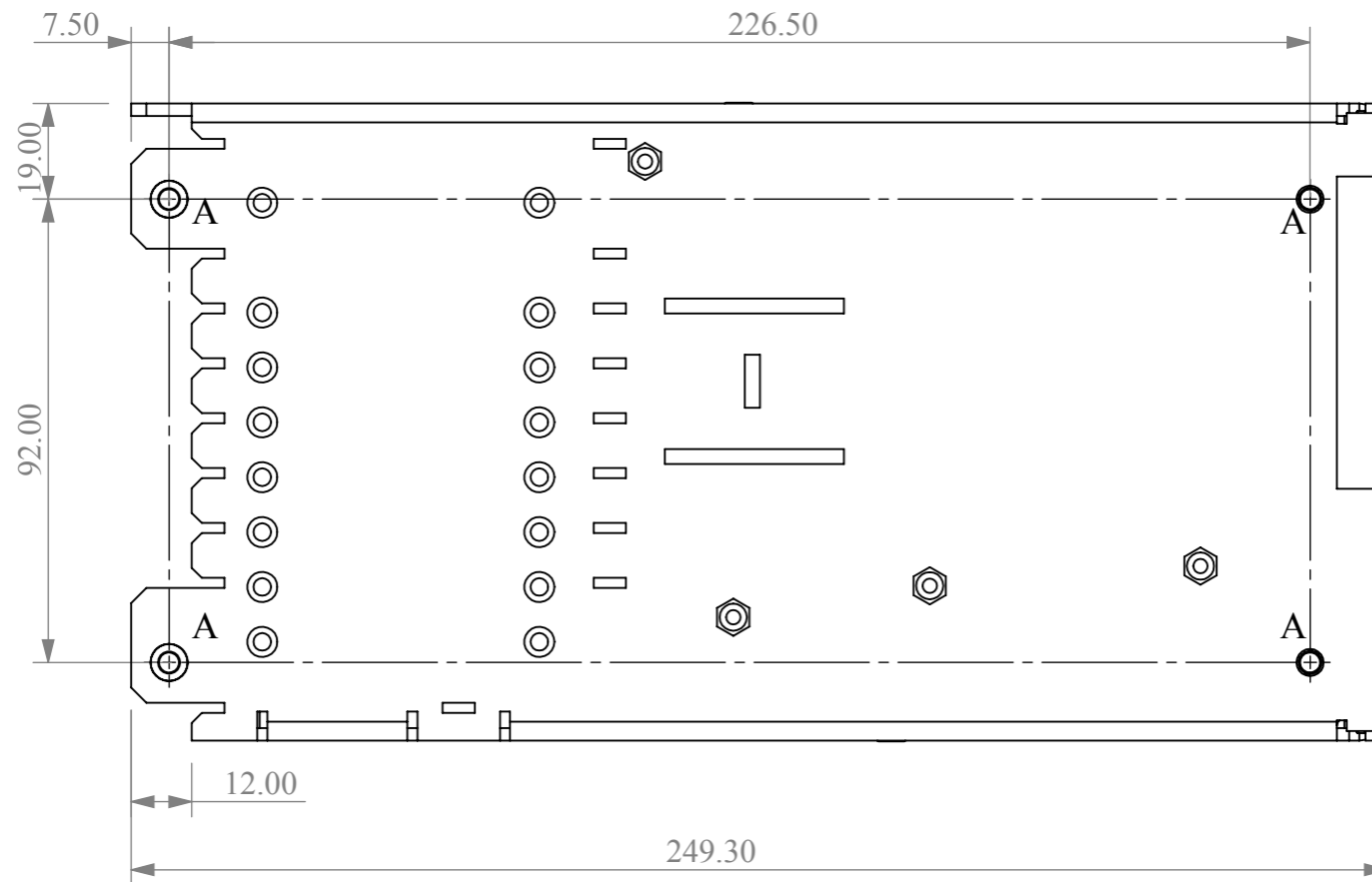
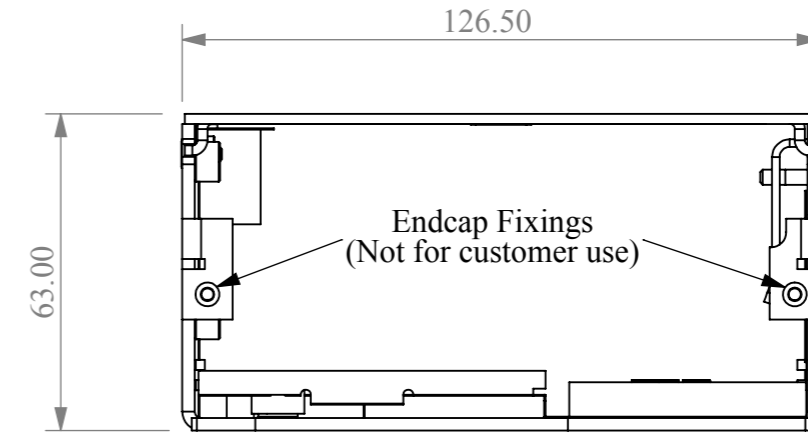
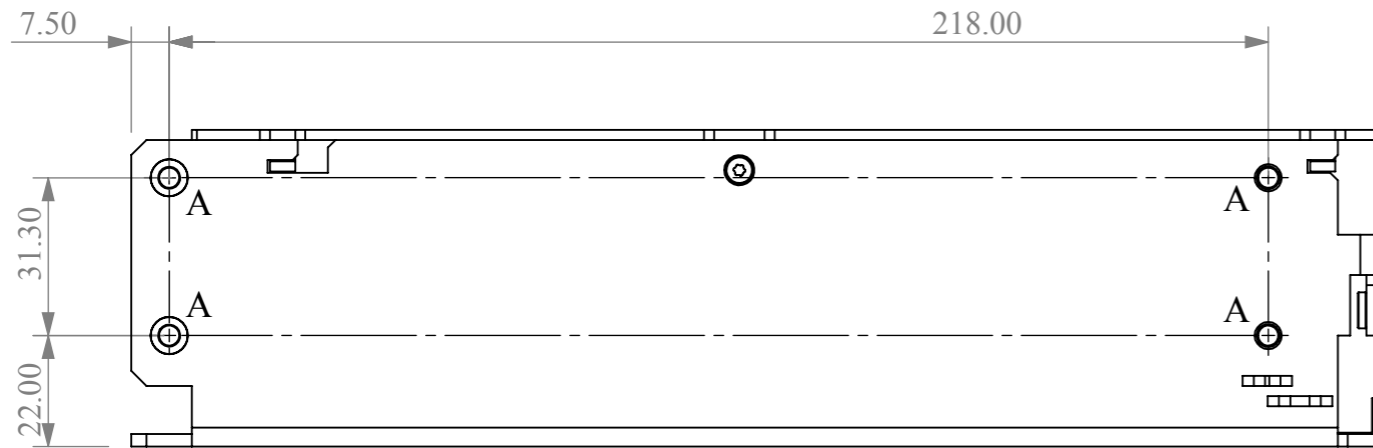
DRAWN BY
P.J.H
DATE
06.08.15



UNSPECIFIED
DIMS IN MM
DO NOT SCALE

A3

Customer Air & Fixing Detail



'A' Holes - Customer fixings are M4

General Tolerances (Unless otherwise stated) +/-0.5

-	See Introduction	-
REV.	MOD	DATE
REVISIONS		

MATERIAL SPECIFICATION
N/A

COMMENTS
Tolerances (Unless otherwise stated) +/-0.5

FINISH SPECIFICATION
N/A

TDK-Lambda

TDK-Lambda UK Limited.
<http://www.uk.tdk-lambda.com>

TITLE
VEGA OUTLINE DRAWINGS

SHEET
2 of 5

L.U.K. DRAWING NUMBER
69210

SCALE
2:3

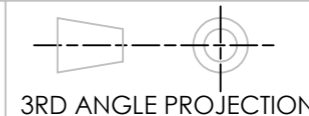
NOTE THIS DRAWING IS PRODUCED IN SOLIDWORKS.
ALL CHANGES MUST BE EFFECTED THROUGH THE CAD SYSTEM.
DRAWN TO BS8888

This drawing and any information or descriptive matter contained therein are the confidential and copyright property of TDK-Lambda UK Limited. Neither the whole nor any extract may be disclosed, loaned, copied, or used for manufacturing or tendering purpose without their written consent.



PROJECT
Vega Cases

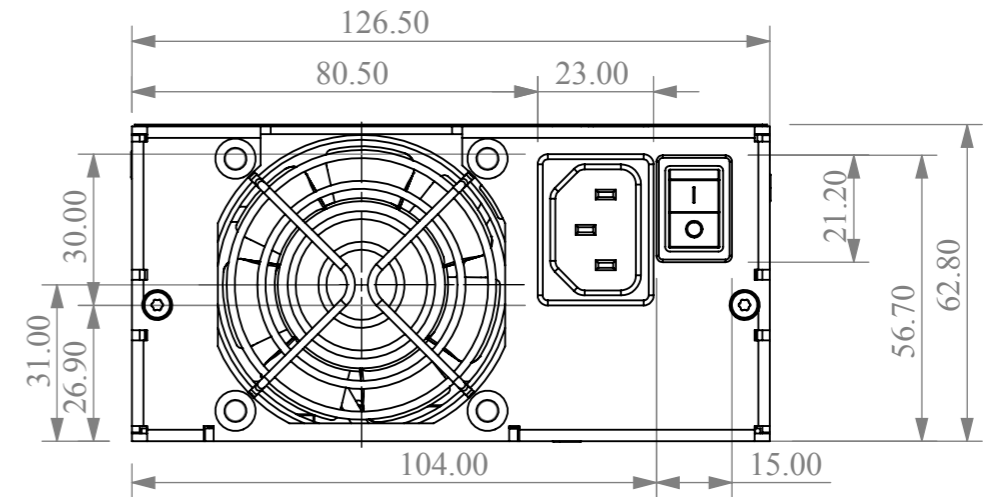
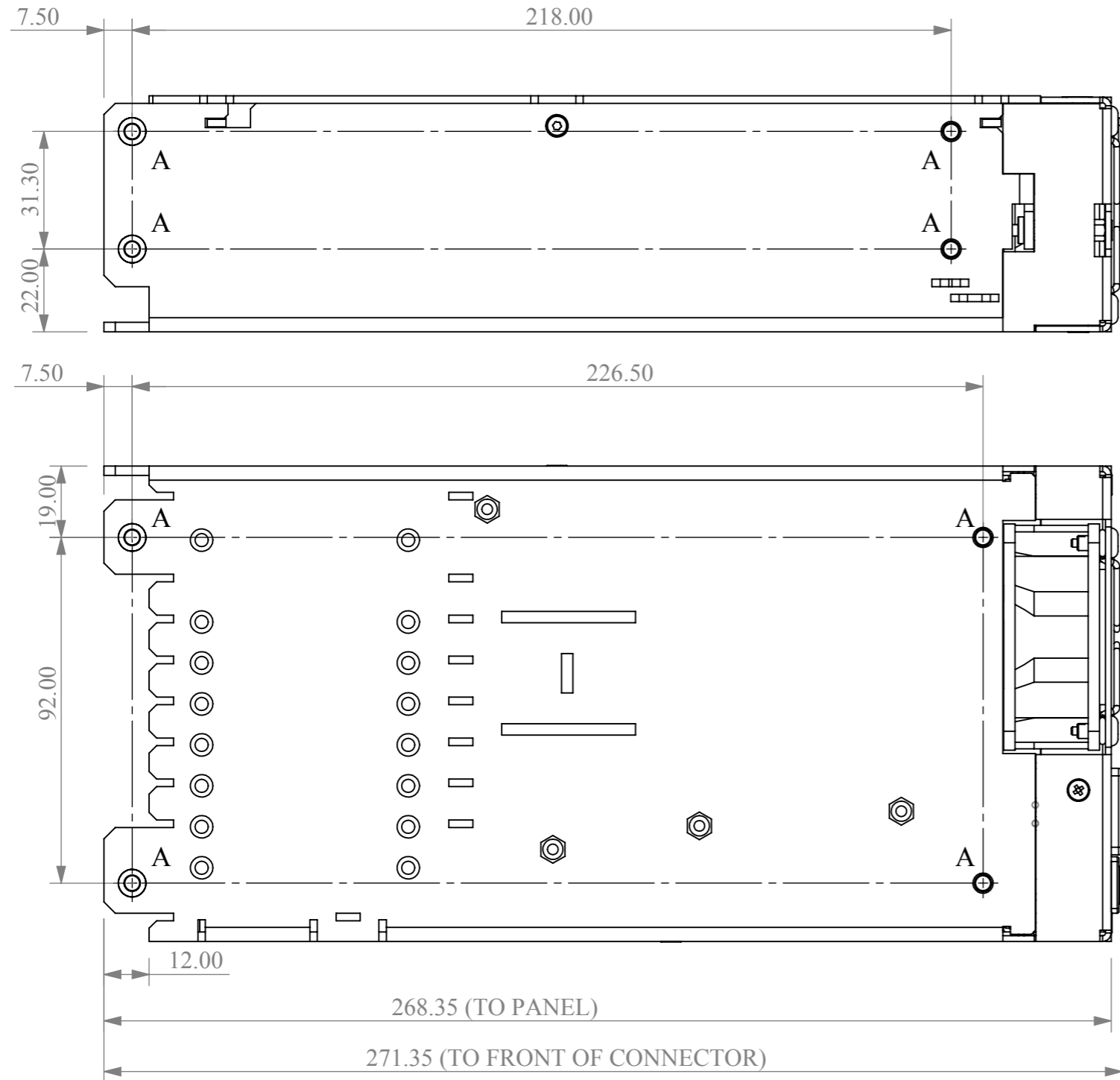
DRAWN BY
P.J.H
DATE
06.08.15



UNSPECIFIED
DIMS IN MM
DO NOT SCALE

A3

Vega IEC 320 (Switched) Input



'A' Holes - Customer fixings are M4

General Tolerances (Unless otherwise stated) +/-0.5

-	See Introduction	-
REV.	MOD	DATE
REVISIONS		

MATERIAL SPECIFICATION
N/A

COMMENTS
Tolerances (Unless otherwise stated) +/-0.5

FINISH SPECIFICATION
N/A

TDK-Lambda

TDK-Lambda UK Limited.
<http://www.uk.tdk-lambda.com>

TITLE
VEGA OUTLINE DRAWINGS

SHEET
3 of 5

L.U.K. DRAWING NUMBER
69210

SCALE
2:3

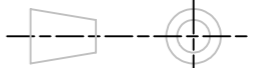
NOTE THIS DRAWING IS PRODUCED IN SOLIDWORKS.
ALL CHANGES MUST BE EFFECTED THROUGH THE CAD SYSTEM.
DRAWN TO BS8888

This drawing and any information or descriptive matter contained therein are the confidential and copyright property of TDK-Lambda UK Limited. Neither the whole nor any extract may be disclosed, loaned, copied, or used for manufacturing or tendering purpose without their written consent.

©

PROJECT
Vega Cases

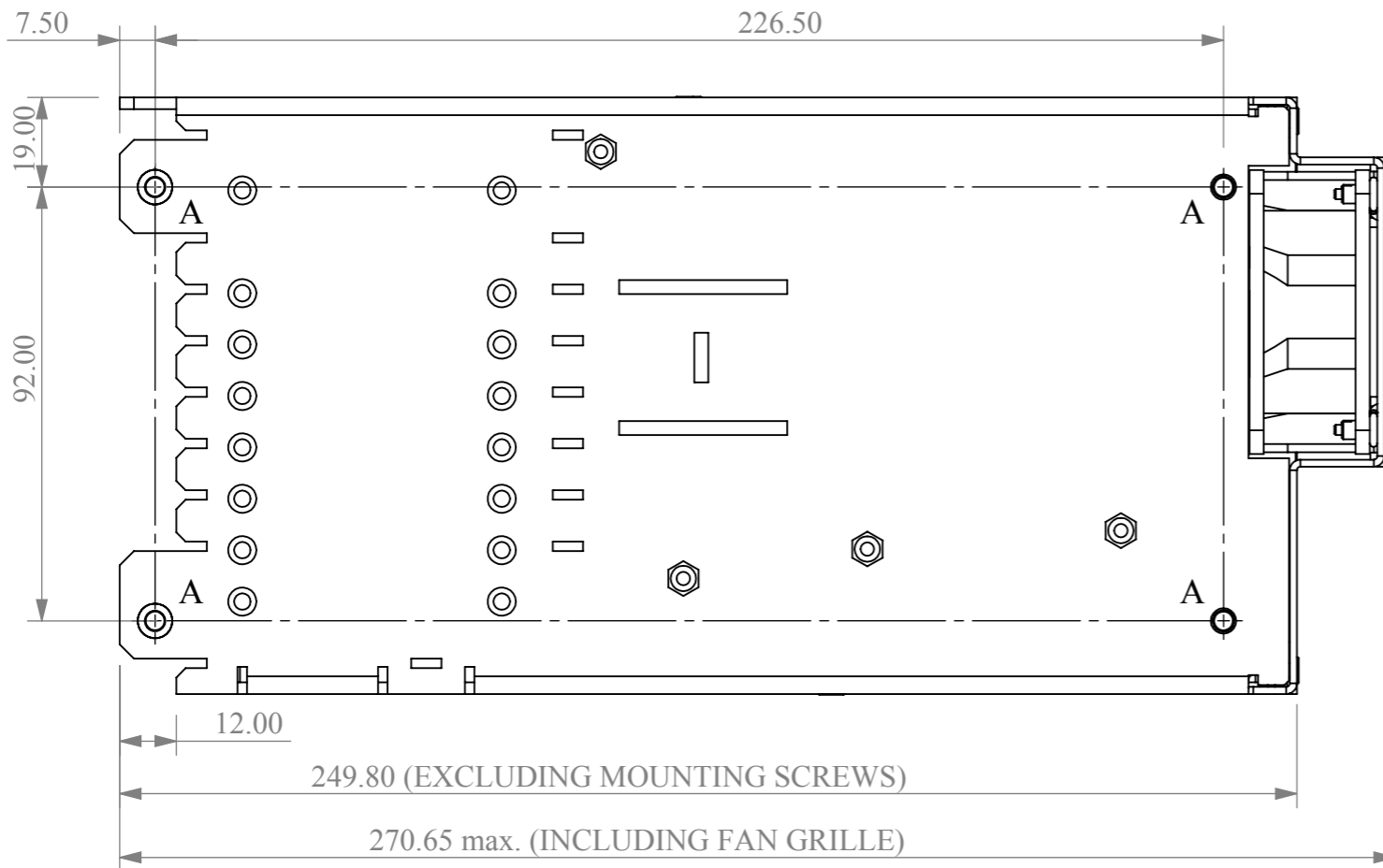
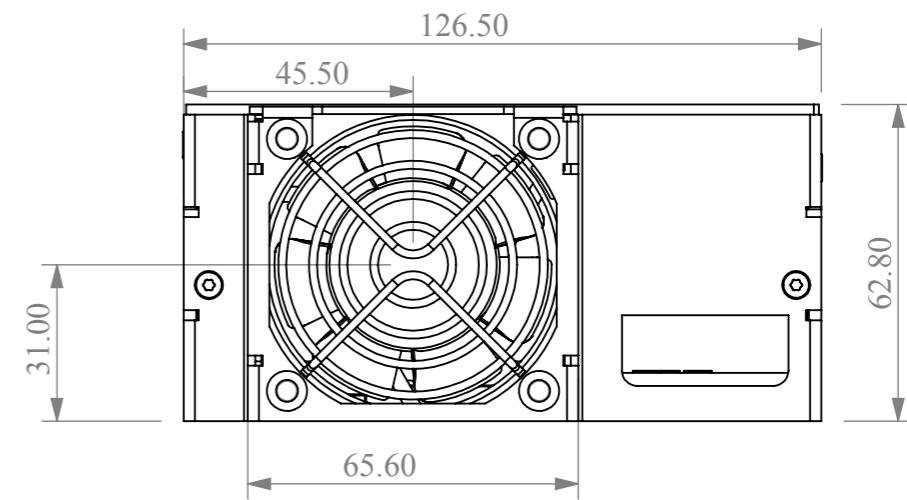
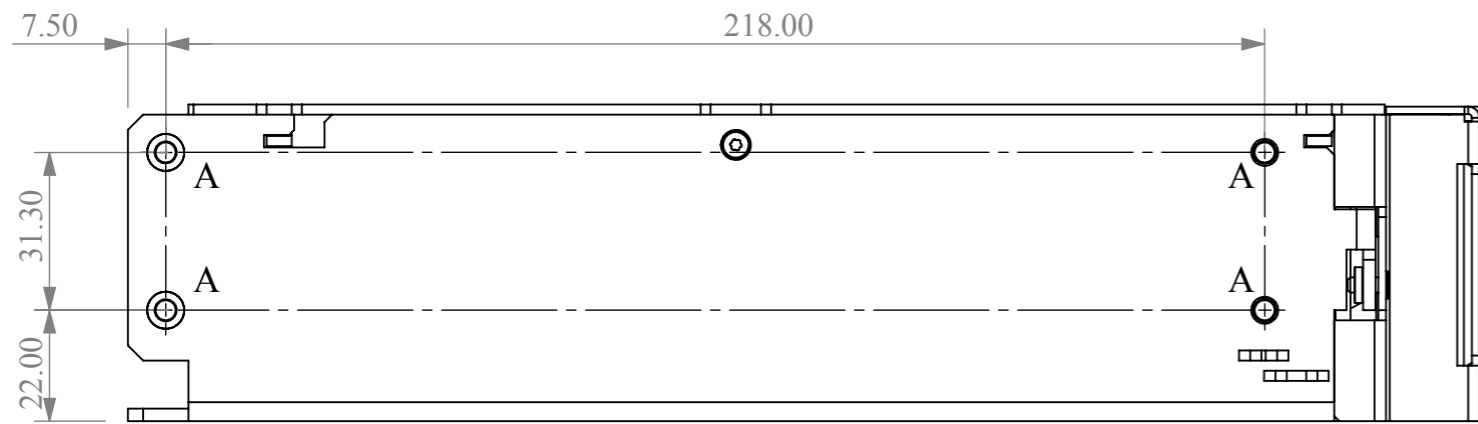
DRAWN BY
P.J.H
DATE
06.08.15


3RD ANGLE PROJECTION

UNSPECIFIED
DIMS IN MM
DO NOT SCALE

A3

Vega Quick Connect (Faston) Input



General Tolerances (Unless otherwise stated) +/-0.5

-	See Introduction	-
REV.	MOD	DATE
REVISIONS		

MATERIAL SPECIFICATION
N/A

COMMENTS
Tolerances (Unless otherwise stated) +/-0.5

FINISH SPECIFICATION
N/A

TDK-Lambda

TDK-Lambda UK Limited.
<http://www.uk.tdk-lambda.com>

TITLE
VEGA OUTLINE DRAWINGS

SHEET
4 of 5

L.U.K. DRAWING NUMBER
69210

SCALE
2:3

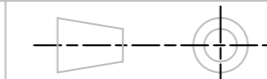
NOTE THIS DRAWING IS PRODUCED IN SOLIDWORKS.
ALL CHANGES MUST BE EFFECTED THROUGH THE CAD SYSTEM.
DRAWN TO BS8888

This drawing and any information or descriptive matter contained therein are the confidential and copyright property of TDK-Lambda UK Limited. Neither the whole nor any extract may be disclosed, loaned, copied, or used for manufacturing or tendering purpose without their written consent.



PROJECT
Vega Cases

DRAWN BY
P.J.H
DATE
06.08.15

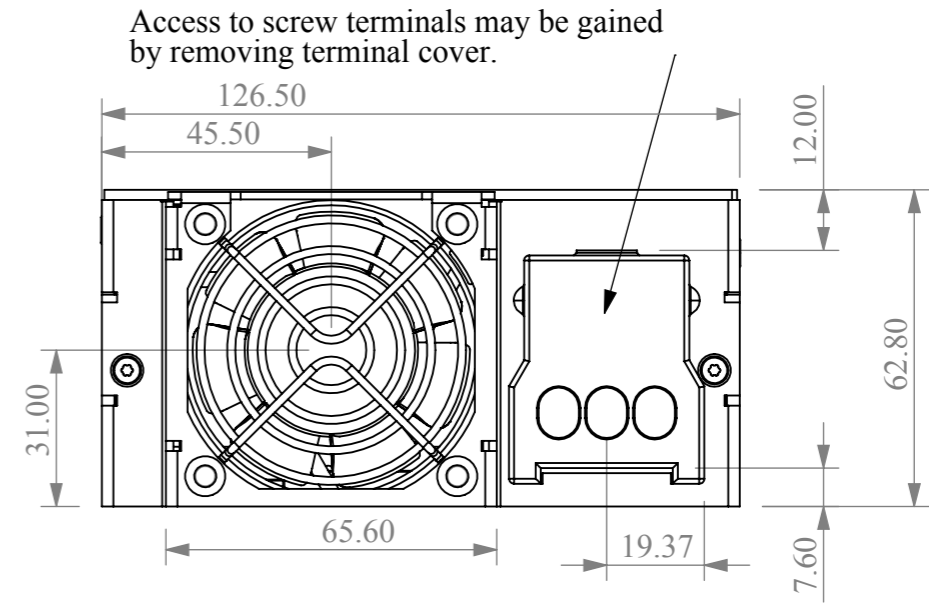
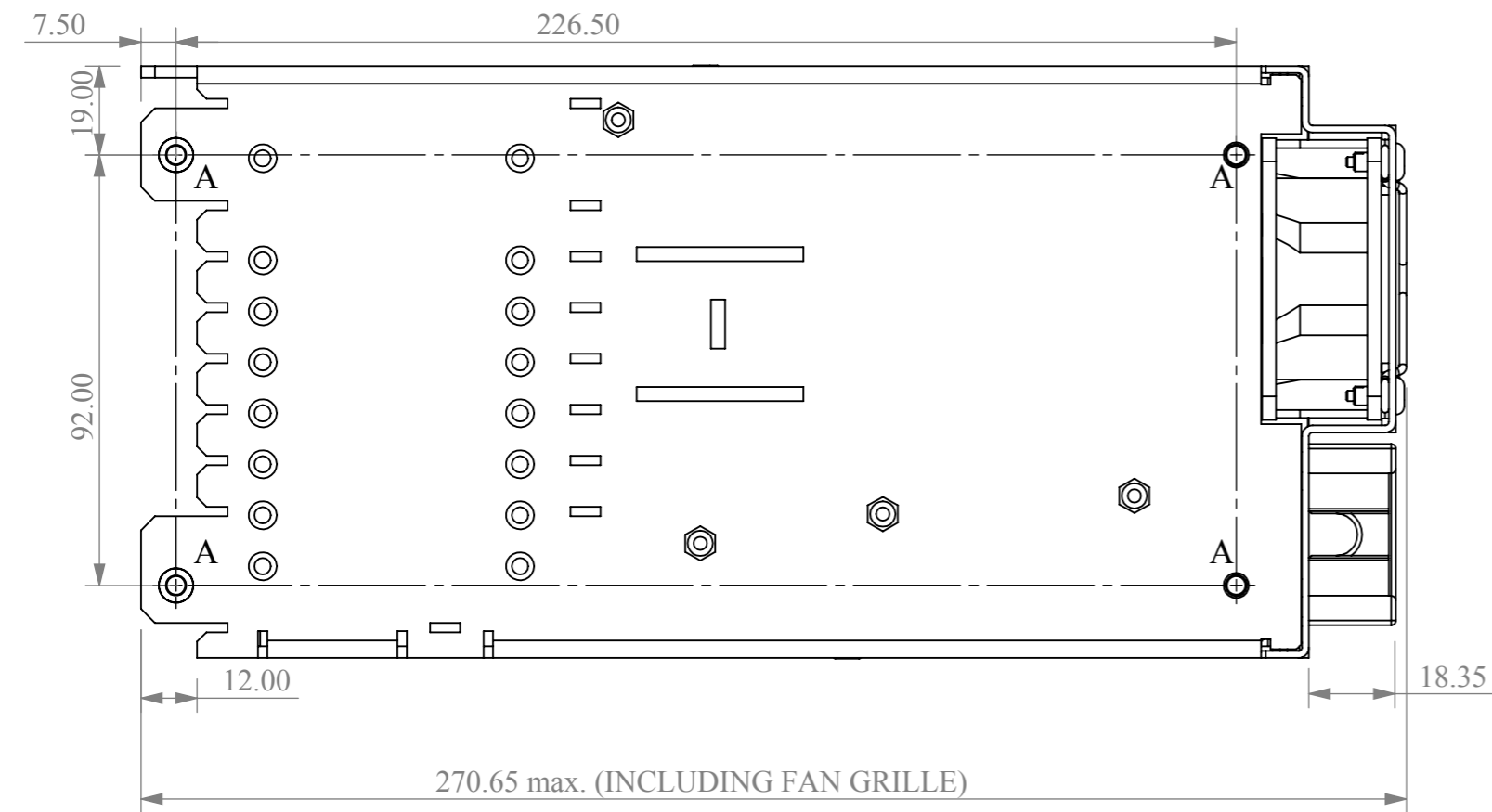
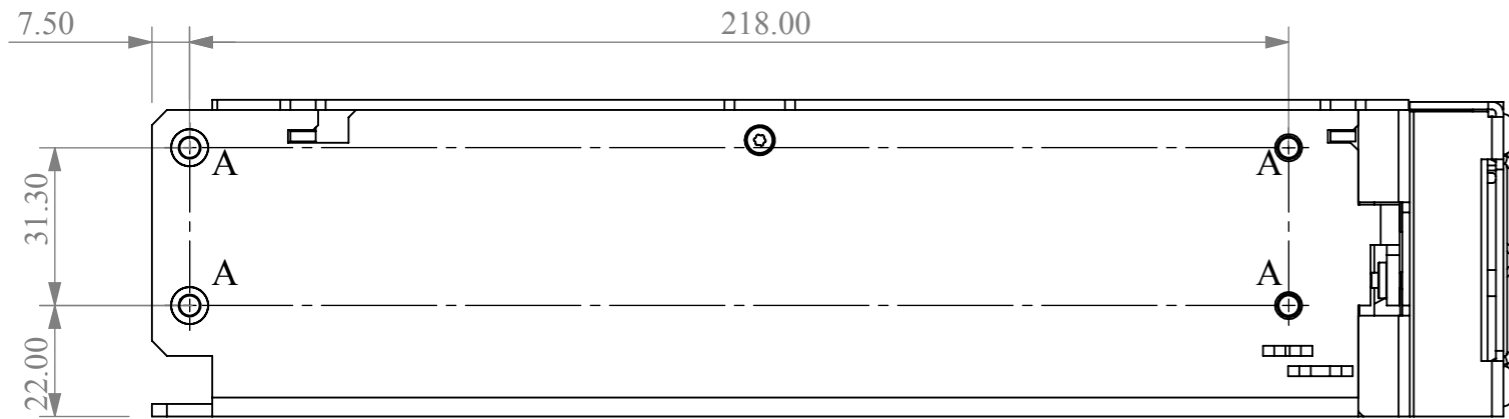


3RD ANGLE PROJECTION

UNSPECIFIED
DIMS IN MM
DO NOT SCALE

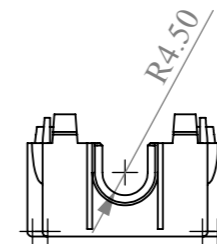
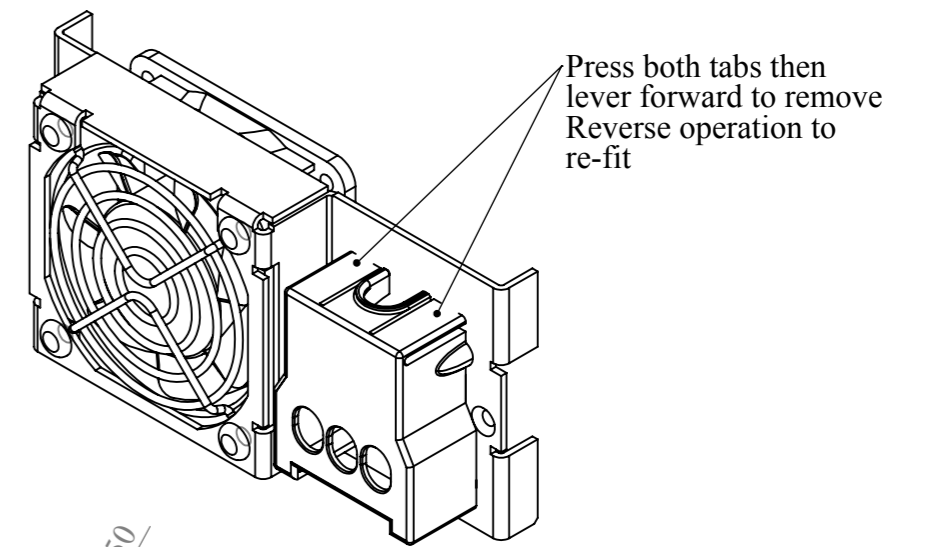
A3

Vega Right Angle Screw Terminal Input



Access to screw terminals may be gained by removing terminal cover.

'A' Holes - Customer fixings are M4



General Tolerances (Unless otherwise stated) +/-0.5

-	See Introduction	-
REV.	MOD	DATE
REVISIONS		

MATERIAL SPECIFICATION
N/A

COMMENTS
Tolerances (Unless otherwise stated) +/-0.5

FINISH SPECIFICATION
N/A

TDK-Lambda

TDK-Lambda UK Limited.
<http://www.uk.tdk-lambda.com>

TITLE
VEGA OUTLINE DRAWINGS

SHEET
5 of 5

L.U.K. DRAWING NUMBER
69210

SCALE
2:3

NOTE THIS DRAWING IS PRODUCED IN SOLIDWORKS.
ALL CHANGES MUST BE EFFECTED THROUGH THE CAD SYSTEM.
DRAWN TO BS8888

This drawing and any information or descriptive matter contained therein are the confidential and copyright property of TDK-Lambda UK Limited. Neither the whole nor any extract may be disclosed, loaned, copied, or used for manufacturing or tendering purpose without their written consent.

©

PROJECT
Vega Cases

DRAWN BY
P.J.H
DATE
06.08.15

3RD ANGLE PROJECTION

UNSPECIFIED
DIMS IN MM
DO NOT SCALE

A3