

MWS65

Instruction Manual

BEFORE USING THE POWER SUPPLY UNIT

Be sure to read this instruction manual thoroughly before using this product. Pay attention to all cautions and warnings before using this product. Incorrect usage could lead to an electrical shock, damage to the unit or a fire hazard.

DANGER

Never use this product in locations where flammable gas or ignitable substances are present. There are risks of igniting these substances and exploding by an arcing.

WARNING

- Do not touch this product or its internal components while circuit is live, or shortly after shut down. There may be high voltage or high temperature present and you may receive an electric shock or burn.
- When this product is operating, keep your hands and face away from it as you may be injured by an unexpected situation.
- Do not make unauthorized changes to this product, otherwise you may receive an electric shock and void your warranty.
- Do not drop or insert anything into this product. It might cause a failure, fire and electric shock.
- Do not use this product under unusual condition such as emission of smoke or abnormal smell and sound etc. It might lead to fire and electric shock. In such cases, please contact us. Do not attempt repair by yourself, as it is dangerous for the user.
- Do not operate these products in the presence of condensation. It might lead fire and electric shock.

CAUTION

- This power supply is designed and manufactured for use within an end product such that it is accessible to SERVICE ENGINEERS only.
- Confirm connections to input/output terminals are correct as indicated in the instruction manual before switching on.
- Input voltage, Output current, Output power, ambient temperature and ambient humidity should be kept within specifications, otherwise the product will be damaged.
- Do not operate and store this product in an environment where condensation might occur. In such case, waterproof treatment is necessary.
- Do not use this product in environment with a strong electromagnetic field, corrosive gas or conductive substances.
- For applications, which require very high reliability (Nuclear related equipment, traffic control equipment, etc.), it is necessary to provide a fail-safe mechanism in the end equipment.
- Do not inject abnormal voltages into the output of this product. The injection of reverse voltage or over voltage exceeding nominal output voltage into the output terminal might cause damage to internal components.
- Never operate the product under over current or short-circuit conditions for more than 30 seconds, or outside its specified Input Voltage Range. Insulation failure, smoking, burning or other damage may occur.
- This product contains a printed circuit board utilizing surface mounted devices. PCB stress such as bending, twisting etc. could cause damage. Therefore, please handle with care.
- When handling this product, hold the board edge and take care not to touch the component side. When installing this product in apparatus or equipment, mount it on spacers.
- The outputs of this product may, under fault conditions, exceed SELV voltage limits. Therefore the outputs must be earthed in the end equipment to maintain SELV. If the outputs are not earthed, they must be considered hazardous and must not be made user accessible.
- This product has used Power Thermistor to protect the circuit from Inrush Current. Frequent repetition of input might cause damage to internal components because of generating surge current.
- Breaking of internal fuse is considered internal failure. In such cases, please contact us.
- The information in this document is subject to change without prior notice. Please refer to the latest version of the data sheet, etc., for the most up-to date specifications of the product.
- Double pole / neutral fusing.



- No part of this document may be copied or reproduced in any form without prior written consent of TDK-Lambda.

Note: CE MARKING

CE Marking when applied to a product covered by this handbook indicates compliance with the low voltage directive (2006/95/EC) as modified by the CE Marking Directive (2006/95/EC) in that it complies with EN60950-1.

DWG No.: FA001-04-01		
APPD	CHK	DWG
Fraser, CH/2011 26/Jul/2011	Amos Chan 26. Jul. '11	Tony Chiu 26. Jul. '11

Important safety instructions


Servicing

These products are not customer serviceable. Repairs may only be carried out by TDK-Lambda or their authorized agents. These products are not authorized for use as critical components in nuclear control systems, life support systems or equipment for use in hazardous environments without the express written approval of the Managing Director of TDK-Lambda Corporation.

Safety Class of Protection

These products are designed for the following parameters : Material Group IIIa, Pollution Degree 2, Over voltage Category II, Class I (earthed), Indoor use as part of an overall equipment such that the product is accessible to service engineers only.

Input markings and symbols

 Caution refer to supplementary documents

EMC performance

Immunity

Test	Standard	Passed	Comments
Electrostatic discharge	IEC61000-4-2	Level 3	Air discharge 8kV Contact discharge 6kV
Electromagnetic field	IEC61000-4-3	Level 3	10V/m
Fast / burst transient	IEC61000-4-4	Level 3	Tested to 2kV
Surge immunity	IEC61000-4-5	Level 3,2	Common mode to 2.0kV Differential mode 1.0kV
Conducted RF immunity	IEC61000-4-6	Level 3	10V
Power frequency magnetic field	IEC61000-4-8	Level 4	30A/m
Voltage dips, variations, interruptions	IEC61000-4-11	Class 3	*1, *2

*1. At the condition of 60% dips and 100ms duration, the output voltage will recover after the power turn on again.

*2. At the condition of 100% dip and 5000ms duration, the output voltage will recover after the power turn on again.

Emissions

Test	Standard	Comments
Radiated electric field	EN55022	Class B (as per CISPR 22)
Conducted emissions	EN55022	Class B (as per CISPR 22)
Conducted harmonics	IEC61000-3-2	Compliant
Flicker	IEC61000-3-3	Compliant

General installation instructions

1) These products are Class I and must therefore be reliably earthed and professionally installed in accordance with the prevailing electrical wiring regulations and the safety standards covered herein.

2) These products are IPX0, and therefore chemicals/solvents, cleaning agents and other liquids must not be used.

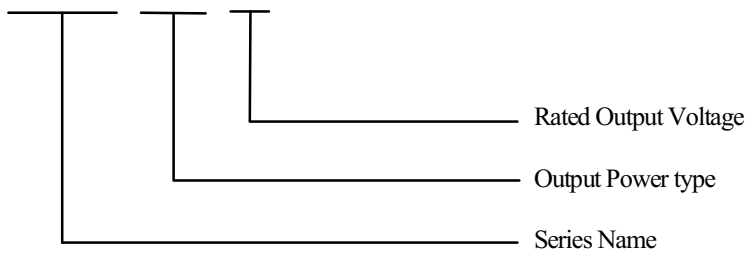
3) The first protective earth connection in the final installation must be marked with the protective earth symbol.

Special Instructions for IEC/EN/UL/ 60601-1

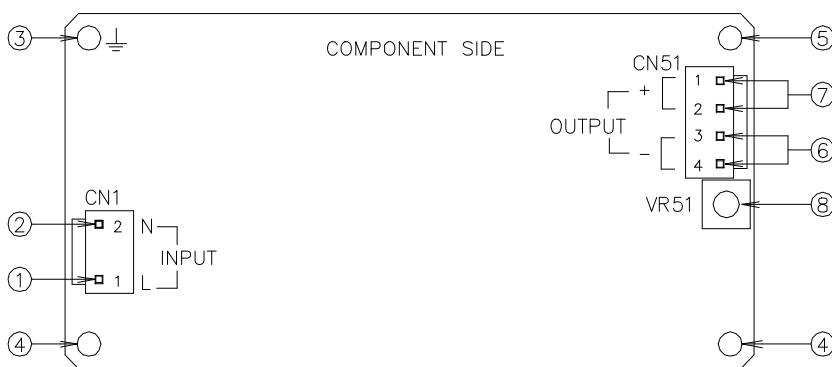
- 1) These products are designed for continuous operation within an overall enclosure, and must be mounted such that access to the mains terminals is restricted. See Clause 16, IEC/EN/UL60601-1.
- 2) These products are NOT suitable for use in the presence of flammable anaesthetic mixtures with air or with oxygen or with nitrous oxide.
- 3) These products are classed as ordinary equipment according to IEC/EN/UL60601-1 and are NOT protected against the ingress of water.
- 4) Connect only apparatus complying with IEC/EN/UL60601-1 to the signal ports.
- 5) Reference should be made to local regulations concerning the disposal of these products at the of their useful life.
- 6) These products have not been assessed to IEC/EN60601-1-2 (EMC) but EMC test data is available from TDK-Lambda Corporation

1. Model name identification method

MWS 65 – 5



2. Terminal Explanation

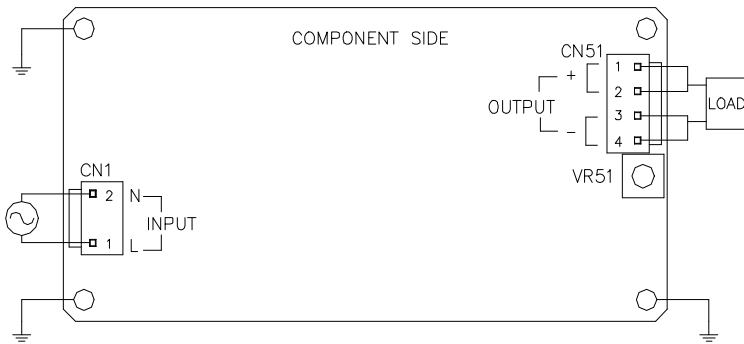


- ① L : AC Input terminal Live line (Fuse in line.)
- ② N : AC Input terminal Neutral line (Fuse in line.)
- ③ Mounting hole (hole diameter : ϕ 3.5mm)
The hole is connected to Protective Earth.
- ④ Mounting hole (hole diameter : ϕ 3.5mm)
These holes must be connected to electrically conductive spacer. The mounting surface of the spacer should be within Max ϕ 6mm.
- ⑤ Mounting hole (hole diameter : ϕ 3.5mm)
These holes are not connected to Protective Earth.
- ⑥ + : + Output Terminal
- ⑦ - : - Output Terminal
- ⑧ V.ADJ : Output voltage adjust trimmer. The output voltage rises when a trimmer is turned clockwise.

3. Terminal Connection Method

Pay attention to the input wiring. If it is connected to wrong terminal, the power supply will be damaged.

- Input must be off when making connections.
- Connect \perp terminal of mounting hole to protective earth of the equipment.
- Output current of each terminal pin must be less than 7A.
- The output load line and input line shall be separated to improve noise sensitivity.
- Do not apply stress to PCB, when connecting or removing connector.
- Use input/output connector (housing) specified by the table below.
- Use recommended crimping tool. Connector is not included with this product. (Refer to the following)



Input/Output Connector

	Model	Connector	Housing	Terminal Pin	Maker
Input (CN1)	Common	B2P3-VH(LF)(SN)	VAR-2/VHR-3N	SVH-21T-P1.1 BVH-21T-P1.1	J.S.T.
Output (CN51)	Common	B4P-VH(LF)(SN)	VHR-4N		

Hand Crimping Tool : YC-160R (J.S.T.)

4. Explanation of Function and Precautions

4-1. Input Voltage Range

Input voltage range is single phase 85-265VAC(47-440Hz) or 120-370VDC. Input voltage, which is out of specification, might lead unit damage. For cases where conformance to various safeties required, described as 100-240VAC (50/60Hz).

4-2. Output Voltage Range

Output voltage is set the rated value at shipment. V.ADJ trimmer (VR51) can adjust the output voltage within the range. Output voltage range is within $\pm 10\%$ of nominal output voltage. To turn the trimmer clockwise, the output voltage will be increased. Take note when the output voltage is increased excessively, over voltage protection (OVP) function may trigger and voltage will be shut down. Furthermore, when increasing the output voltage reduce the output current so as not to exceed the maximum output power.

4-3. Inrush Current

These products equipped Power thermistor to limit the inrush Current. This series are Power thermistor method so that higher current will flow at higher ambient temperature or re-input condition. Please select input switch and fuse carefully with the high temperature and re-input the power condition. The Inrush Current value is under cold start at 25°C in the specification.

4-4. Over Voltage Protection (OVP)

The OVP function (Inverter shut down method, manual reset type) is provided. OVP function operates within 115-135% of nominal output voltage. When OVP triggers, the output will be shut down. To reset OVP, remove the input of power supply for a few minutes, and then re-input. In addition, the setting value of OVP is fixed and not adjustable. Pay attention not to apply higher voltage externally to the output terminal to avoid unit failure. In case of inductive load, put protective diode in series to the output power line.

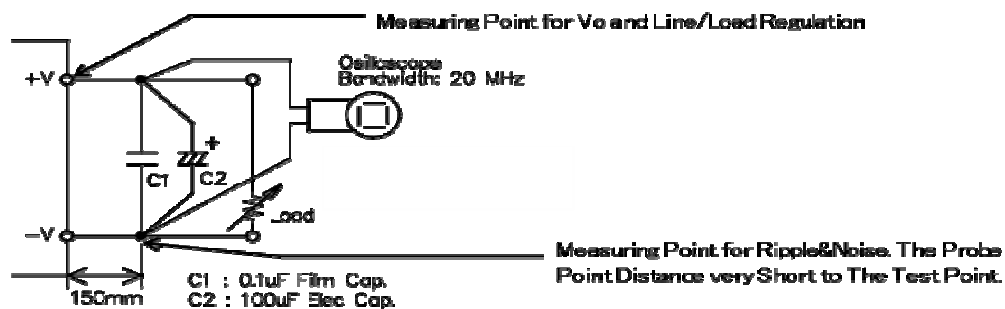
4-5. Over Current Protection (OCP)

These products provide the Hiccup mode with automatic recovery. OCP function operates when the output current exceeds 105% of maximum DC output current of specification. The outputs will be automatically recovered when the overload condition is canceled. Never operate the unit under over current or shorted conditions for more than 30seconds, which may leads damage or insulation failure. OCP setting is fixed and not to be adjusted externally.

4-6. Output Ripple & Noise

The standard specification for maximum ripple value is measured according to measurement circuit specified as below. When load lines are longer, ripple will becomes larger. In this case, electrolytic capacitor, film capacitor, etc. might be necessary to use across the load terminal. The output ripple cannot be measure accurately if the probe ground lead of oscilloscope is too long.

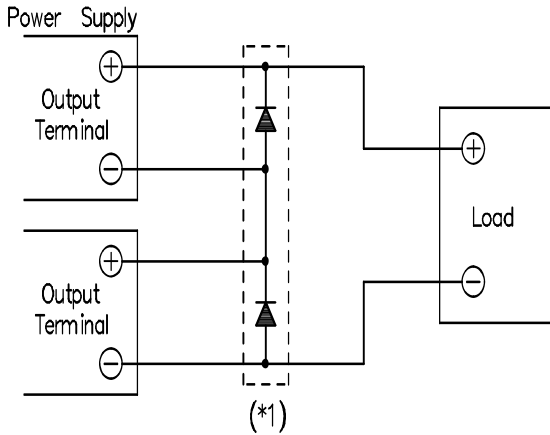
For start up at low temperature ambient, that is no overshoot at start up and output ripple noise specification can be met after two seconds.



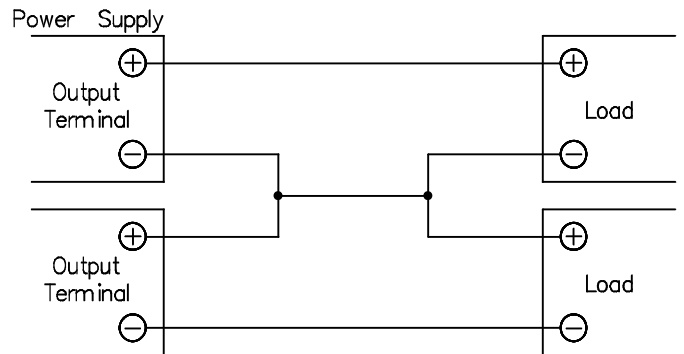
4-7. Series Operation

For series operation, either method (A) or (B) is possible.

(A)



(B)

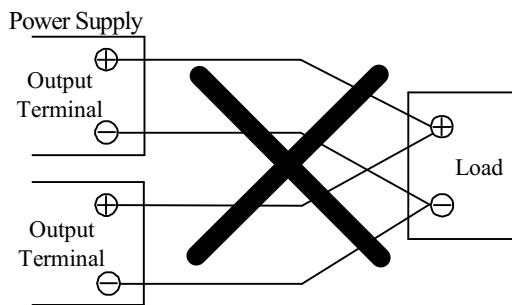


(*1) Please select a bypass diode with maximum forward current rating more than output load current. And maximum reverse voltage must withstand each power supply output voltage.

4-8. Parallel Operation

For parallel operation, method (B) is possible

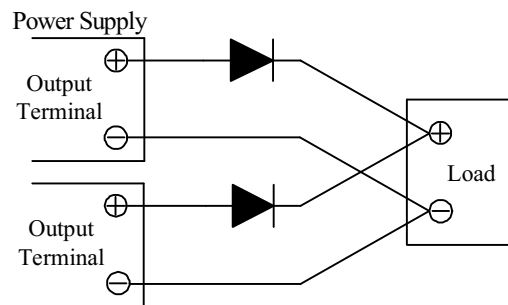
(A) To increase the output current is not possible.



(B) To use as Back-up Power Supply

1. Adjust the output voltage of each power supply to be the same.
2. Set power supply output voltage higher by the forward voltage drop (Vf) of diode.

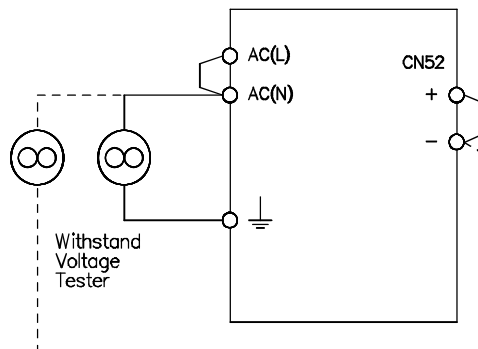
Use within the specification for output voltage and output power.



4-9. Isolation Test

Isolation resistance between Output - \perp (Protective Earth) is more than 100MΩ at 500VDC. For safety operation, voltage setting of DC isolation tester must be done before the test. Ensure that the unit is fully discharged after the test.

Output - \perp (Protective Earth) : 500VDC More than 100MΩ



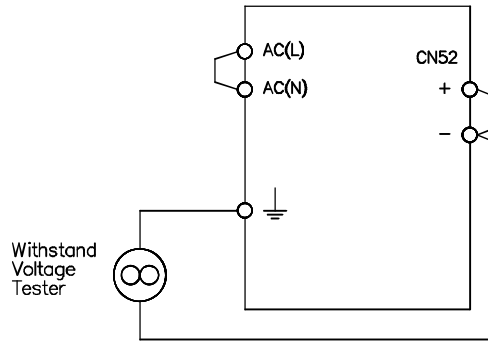
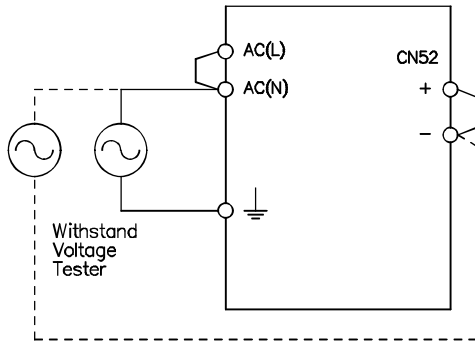
4-10. Withstand Voltage

These products are designed to withstand 4.0kVAC between input and output, 1.5kVAC between input and \perp (Protective Earth) and 1.5kVAC between output and \perp (Protective Earth) each for 1 minute. When testing withstand voltage, set current limit of the withstand voltage test equipment to 20mA (output - \perp (Protective Earth): 100mA). The applied voltage must be gradually increased from zero to the testing value and then gradually decreased for shut down. When timer is used, the power supply may be damaged by high impulse voltage at timer switch on and off. Connect input and output as follows.

Input - Output (Dashed line) : 4.0kVAC 1min(20mA)

Input - \perp (Protective Earth) (Solid line) : 1.5kVAC 1min(100mA)

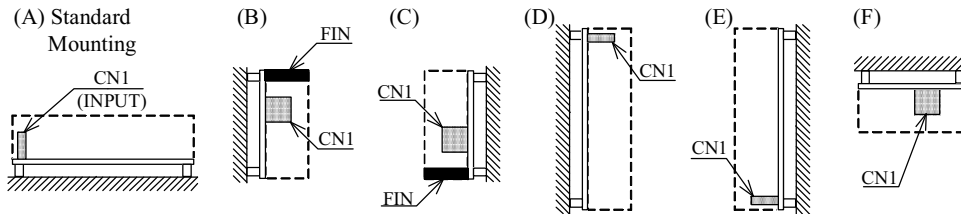
Output - \perp (Protective Earth) : 1.5kVAC 1min(100mA)



5. Mounting Directions

5-1. Output Derating according to the Mounting Directions.

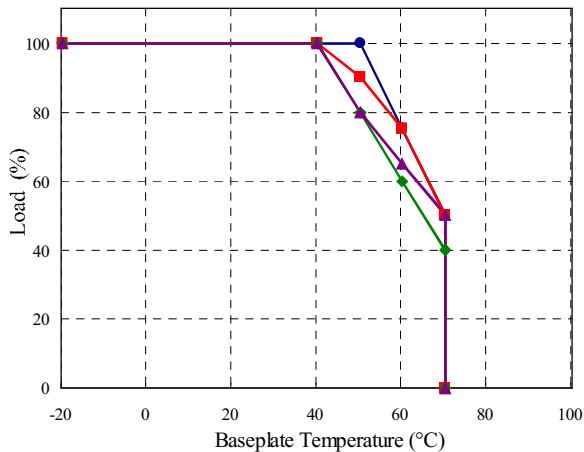
Recommended standard mounting method is (A). Method (B)-(F) are also possible. Refer to the output derating below. Load(%) such as below derating curve indicates output power.



5-2. Output Derating

Make sure that the specified temperature range is maintained.

■ CONVECTION COOLING



(*1) Output derating is different depending on the output voltage

- MOUNTING : (A)-(B) : 5V - 48V
- (C) : 12V
- (D)-(E) : 12V/48V
- MOUNTING : (C) : 5V/15V/24V/48V
- (D)-(E) : 15V/24V
- ▲ MOUNTING : (D)-(E) : 5V
- ◆ MOUNTING : (F) : 5V - 48V

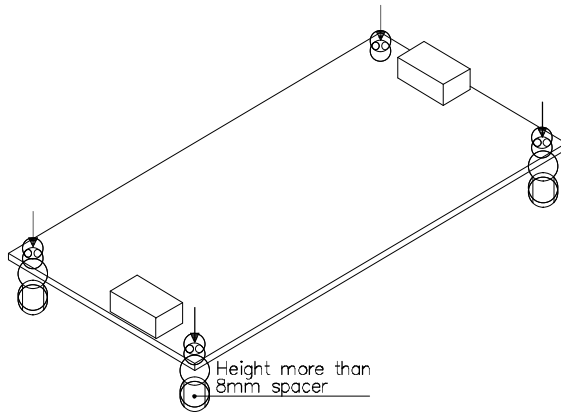
Ta(°C)	Load(%)	Load(%)	Load(%)	Load(%)
Mounting	A, B, C, D, E	C, D, E	D, E	F
-20~40	100			
50	100	90	80	80
60	75	75	65	60
70	50	50	50	40

5-3. Mounting Method

Insert the spacer (Max ϕ 6) of height more than 8mm to lift the unit. And use all mounting holes for the unit installation. The vibration specification is specified under this mounting condition.

■ Mounting Holes size

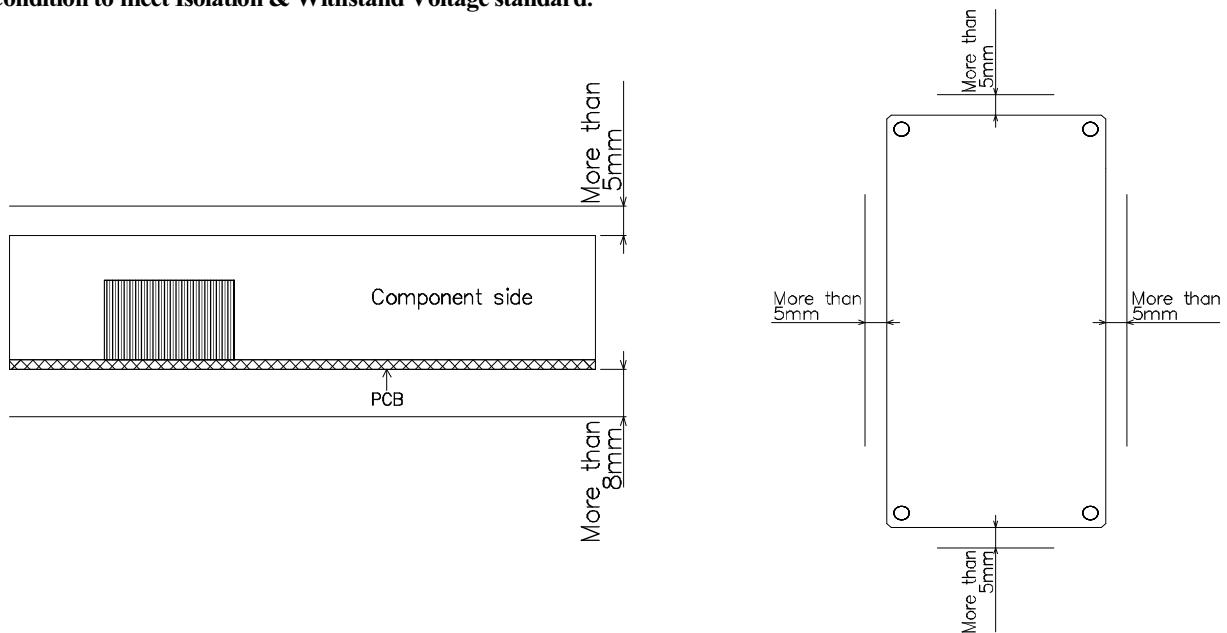
4 holes ϕ 3.5mm.



Allowable area by metal pieces is 7mm from each PCB corners. Refer to figure below.



■ Condition to meet Isolation & Withstand Voltage standard.

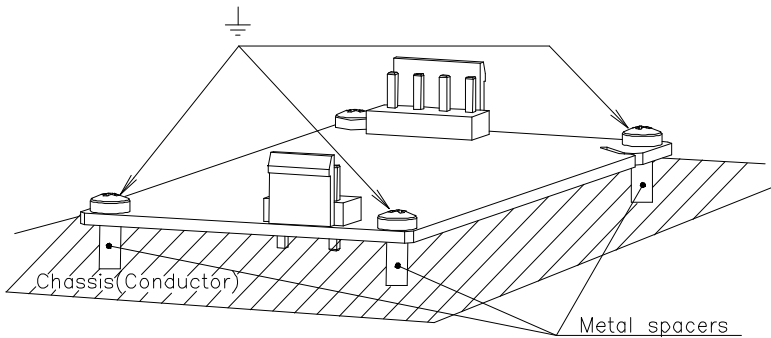


Keep 5mm space from the surfaces and sides of PCB. Especially, 8mm space is necessary from the solder surface.

If the space is not enough, the specification of isolation and withstand will not be satisfied.

Take the space in the power supply surroundings and the upper area of components to keep enough for convection cooling.

⏏ (Protective Earth) should be connected to the earth terminal of the equipment. Also 3 mounting holes are should be connected to the Chassis by metal spacer. If not, the conducted noise, radiation noise and output noise will increase.



6. Wiring Method

- (1) The output load line and input line shall be separated each other and twisted individually to improve noise.
- (2) Use all lines as thick and short as possible to made lower impedance.
- (3) Noise can be reduced by attaching a capacitor to the load terminals.
- (4) For safety and EMI considerations, connect between ⏏ (Protective Earth) terminal of Frame Ground terminal of equipment firmly.

7. External Fuse Rating

Refer to the following fuse rating when selecting the external fuses that are to be used on input line. Surge current flows when line turns on. Have to use slow-blow or time-lag type fuse, not fast-blow fuse. Fuse rating is considered by in-rush current value at line turn-on. Do not select the fuse according to input current (RMS.) values under the actual load condition

MWS65 : 2.5A

8. Before concluding that the unit is at fault

- (1) Check if the rated input voltage is connected.
- (2) Check if the wiring of input and output is correct.
- (3) Check if the wire thickness is enough.
- (4) Check if the output current and output wattage dose not over specification.
- (5) Check if the output voltage control (V.ADJ) is properly adjusted. OVP might be triggered and output is shut down.
- (6) Audible noise can be heard when input voltage waveform is not sinusoidal wave.
- (7) Audible noise can be heard during Dynamic-Load operation.
- (8) Ensure that a large capacitor is not connected across the output terminals. Please use within maximum capacitance shown below.

MODEL	Maximum external capacitance				
	5V	12V	15V	24V	48V
MWS65	6800uF	4700uF	1200uF	470uF	180uF

9. Warranty Condition

These products are under warranty for 3 years (based on 8 hours/day operation) from the date of shipment. During the warranty period, TDK-Lambda will, at its option, either repair or replace products prove to be defective.

Warranty applies but not limited to the following.

- (1) Average operating temperature (ambient temperature of the power supply unit) is under 40°C.
- (2) Average load factor is 100% or less.
- (3) Installation method: standard installation.

Following cases are not covered by warranty.

- (1) Improper usage like dropping products, applying shock and defects from operation exceeding specification of the units.
- (2) Defects resulting from natural disaster (fire, flood etc).
- (3) Unauthorized modifications or repair by the buyers' defects not caused by our company.