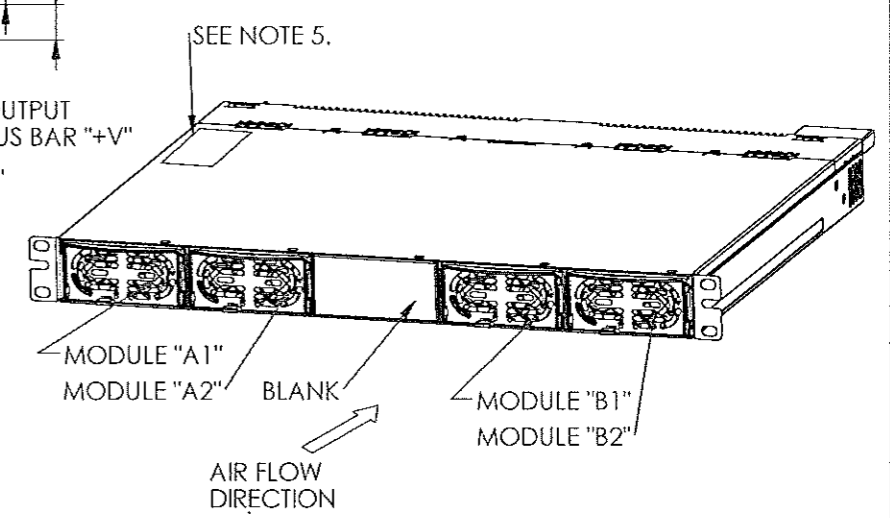
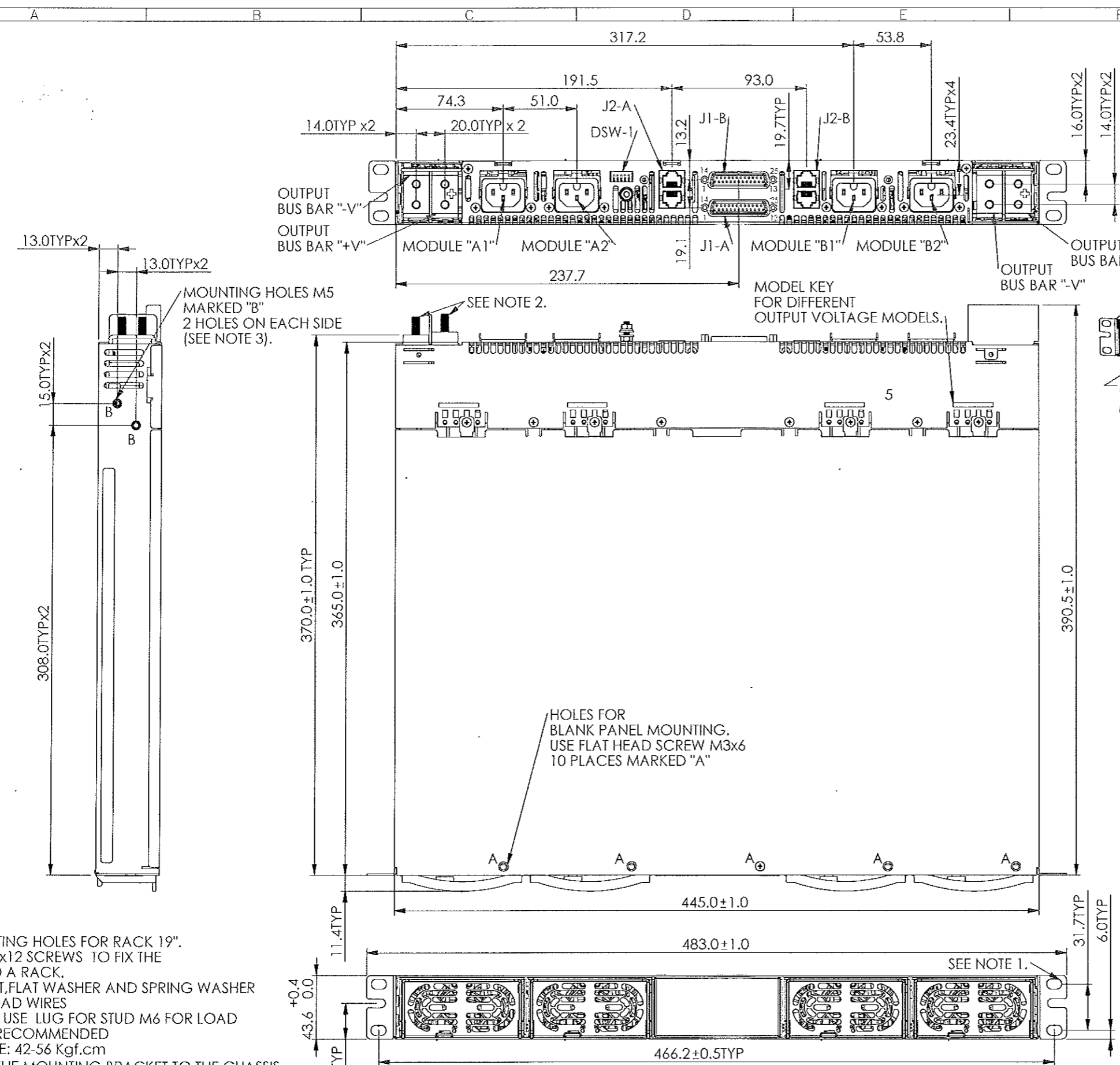
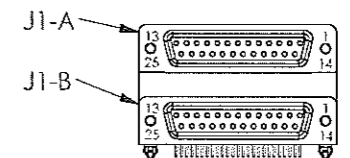


D	CONTENTS	DATE	ENGR	CHK	APPD



CONNECTOR DESCRIPTION : 1734285-2 (TYCO)



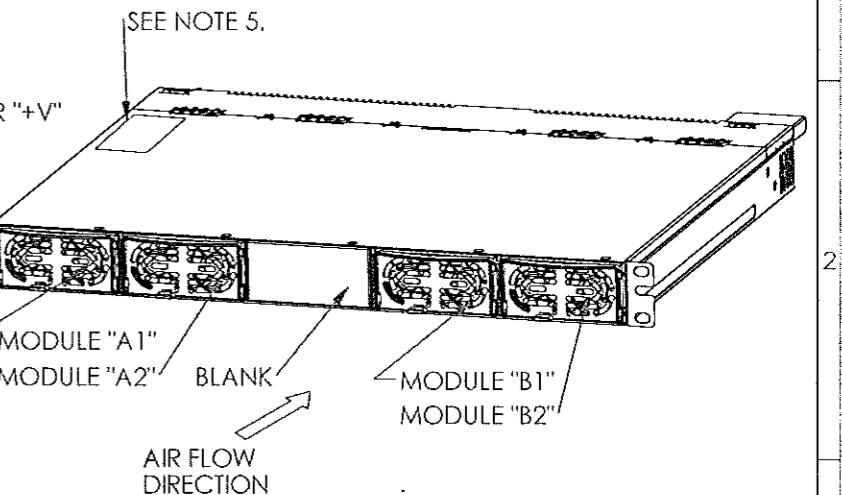
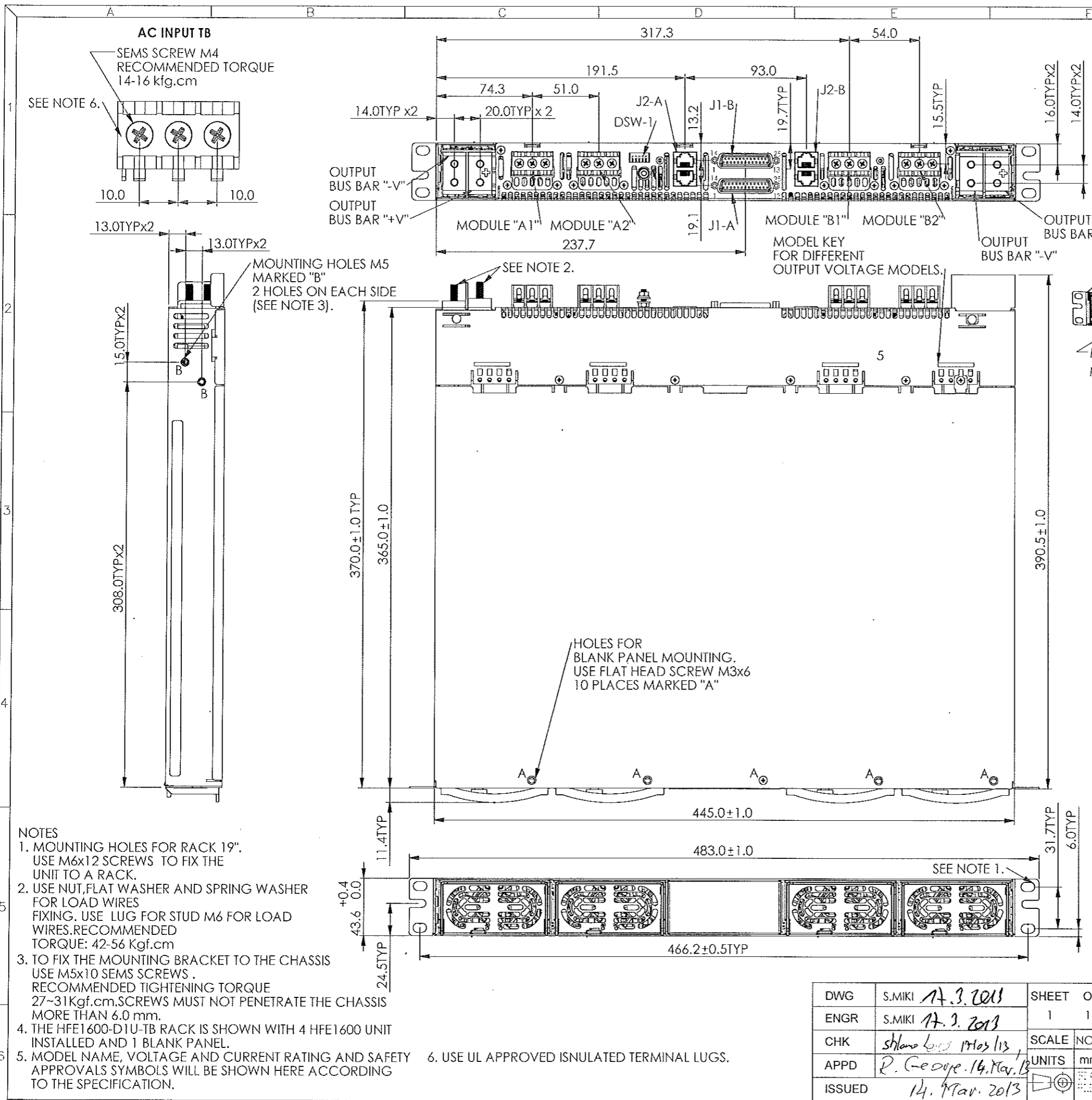
CON J1-A	
1	-LS_A
2	+LS_A
3	TRM_A
4	+5V_Vref_A
5	-SENSE_A
6	TEMP_AL_A1
7	AC_FAIL_A1
8	DC_OK_A1
9	SIGNAL_RETURN_A
10	INHIBIT_A1
11	PS_EXIST_A1
12	+12V_AUX_A
13	SIGNAL_RETURN_A
14	-SENSE_A
15	+SENSE_A
16	V_PROG_A
17	CS_A
18	CS_A
19	TEMP_ALM_A2
20	AC_FAIL_A2
21	DC_OK_A2
22	INHIBIT_A2
23	PS_EXIST_A2
24	SIGNAL_RETURN_A
25	ENABLE_A

CON J1-B	
1	-LS_B
2	+LS_B
3	TRM_B
4	+5V_Vref_B
5	-SENSE_B
6	TEMP_AL_B1
7	AC_FAIL_B1
8	DC_OK_B1
9	SIGNAL_RETURN_B
10	INHIBIT_B1
11	PS_EXIST_B1
12	+12V_AUX_B
13	SIGNAL_RETURN_B
14	-SENSE_B
15	+SENSE_B
16	V_PROG_B
17	CS_B
18	CS_B
19	TEMP_ALM_B2
20	AC_FAIL_B2
21	DC_OK_B2
22	INHIBIT_B2
23	PS_EXIST_B2
24	SIGNAL_RETURN_B
25	ENABLE_B

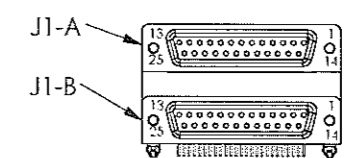
- NOTES
1. MOUNTING HOLES FOR RACK 19". USE M6x12 SCREWS TO FIX THE UNIT TO A RACK.
 2. USE NUT, FLAT WASHER AND SPRING WASHER FOR LOAD WIRES. USE LUG FOR STUD M6 FOR LOAD WIRES. RECOMMENDED TORQUE: 42-56 Kgf.cm
 3. TO FIX THE MOUNTING BRACKET TO THE CHASSIS USE M5x10 SEMS SCREWS. RECOMMENDED TIGHTENING TORQUE 27-31 Kgf.cm. SCREWS MUST NOT PENETRATE THE CHASSIS MORE THAN 6.0 mm.
 4. THE HFE1600-D1U RACK IS SHOWN WITH 4 HFE1600 UNIT INSTALLED AND 1 BLANK PANEL.
 5. MODEL NAME, VOLTAGE AND CURRENT RATING AND SAFETY APPROVALS SYMBOLS WILL BE SHOWN HERE ACCORDING TO THE SPECIFICATION.

DWG	S.MIKI 17.9.2013	SHEET	OF	MATERIALS	TITLE	HFE1600-D1U
ENGR	S.MIKI 17.9.2013	1	1			
CHK	shlans levy 17/03/13	SCALE	NONE	FINISH	DRAWING No.	IA793-02-01 - X
APPD	R. George 14. Mar. 2013	UNITS	mm			
ISSUED	14. Mar. 2013			TDK-Lambda		

D	CONTENTS	DATE	ENGR	CHK	APPD



CONNECTOR DESCRIPTION : 1734285-2 (TYCO)



CON J1-A	
1	-LS A
2	+LS A
3	TRM A
4	+5V Vref A
5	-SENSE A
6	TEMP AL A1
7	AC FAIL A1
8	DC OK A1
9	SIGNAL RETURN A
10	INHIBIT A1
11	PS EXIST A1
12	+12V AUX A
13	SIGNAL RETURN A
14	-SENSE A
15	+SENSE A
16	V PROG A
17	CS A
18	CS A
19	TEMP ALM A2
20	AC FAIL A2
21	DC OK A2
22	INHIBIT A2
23	PS EXIST A2
24	SIGNAL RETURN A
25	ENABLE A

CON J1-B	
1	-LS B
2	+LS B
3	TRM B
4	+5V Vref B
5	-SENSE B
6	TEMP AL B1
7	AC FAIL B1
8	DC OK B1
9	SIGNAL RETURN B
10	INHIBIT B1
11	PS EXIST B1
12	+12V AUX B
13	SIGNAL RETURN B
14	-SENSE B
15	+SENSE B
16	V PROG B
17	CS B
18	CS B
19	TEMP ALM B2
20	AC FAIL B2
21	DC OK B2
22	INHIBIT B2
23	PS EXIST B2
24	SIGNAL RETURN B
25	ENABLE B

- NOTES
1. MOUNTING HOLES FOR RACK 19". USE M6x12 SCREWS TO FIX THE UNIT TO A RACK.
 2. USE NUT, FLAT WASHER AND SPRING WASHER FOR LOAD WIRES. USE LUG FOR STUD M6 FOR LOAD WIRES. RECOMMENDED TORQUE: 42-56 Kgf.cm
 3. TO FIX THE MOUNTING BRACKET TO THE CHASSIS USE M5x10 SEMS SCREWS. RECOMMENDED TIGHTENING TORQUE 27-31 Kgf.cm. SCREWS MUST NOT PENETRATE THE CHASSIS MORE THAN 6.0 mm.
 4. THE HFE1600-D1U-TB RACK IS SHOWN WITH 4 HFE1600 UNIT INSTALLED AND 1 BLANK PANEL.
 5. MODEL NAME, VOLTAGE AND CURRENT RATING AND SAFETY APPROVALS SYMBOLS WILL BE SHOWN HERE ACCORDING TO THE SPECIFICATION.

6. USE UL APPROVED ISNLATED TERMINAL LUGS.

DWG	S.MIKI 17.3.2013	SHEET	OF	
ENGR	S.MIKI 17.3.2013	1	1	
CHK	shlano 17.03.13	SCALE	NONE	
APPD	R. George 14. Mar. 13	UNITS	mm	
ISSUED	14. Mar. 2013			

MATERIALS		TITLE	HFE1600-D1U-TB
FINISH		DRAWING No.	IA793-02-02 - X
			TDK-Lambda