



## 300W Medical/ITE Class I and II External Power Supplies

Features	Benefits
• Meets 60601-1 & 60601-1-2 Ed , 2014	• Simplifies B & BF Equipment Design
• Wide Range AC, Class I & Class II inputs	• Global Operation
• <0.5W No Load Power	• Consumes Less Energy
• Meets DoE Level VI Efficiency	• Easier System Approvals



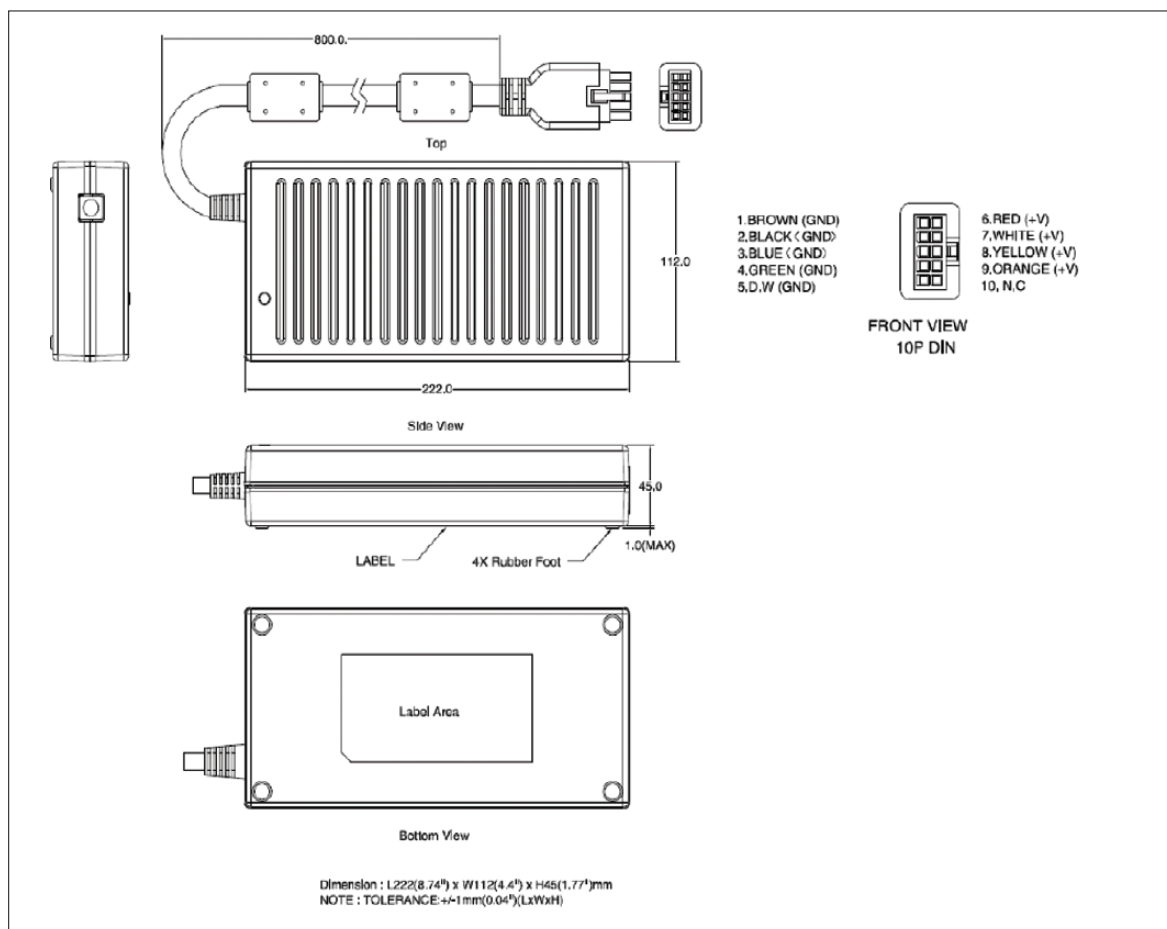
Specification		
Model	DTM300M-D	
Input Voltage range	VAC	90 - 264VAC (47 - 63Hz)
Inrush Current	A	<70A at 230VAC input, 25°C ambient cold start
Input Current	A	3A at 115VAC Maximum
Touch Current	-	<100uA @ 264VAC
Power Factor	-	Meets EN61000-3-2, >0.9 at 230VAC full load
Hold Up Time (Typ)	ms	10ms at 115VAC input
Temperature Coefficient	%/°C	±0.05%/°C
Adjustment Range	-	None
Minimum Load	A	None
Total Regulation	%	±5% (-20 to -30°C ±10%)
Ripple & Noise	mV	12V model: 240mV; all others 300mV
Overload & Short Circuit Protection	-	105 - 150% - hiccup mode
Overvoltage Protection	V	Auto-recovery
Efficiency	%	>88%, average efficiency
Operating Temperature	°C	-30 to +60°C derate linearly to 50% load from 40 to 60°C Derate linearly to 70% load from 0 to -30°C
Storage Temperature	°C	-30 to +85°C
Humidity (non condensing)	%RH	0 - 95%RH
Cooling	-	Convection
Withstand Voltage	VAC	Class I: Input to Ground 1.5kVAC, Input to Output 4kVAC (2xMoPP), Output to Ground: 1.5kVAC Class II: Input to Output 4kVAC (2xMoPP)
Safety Agency Certification	-	IEC/ES/CSA/EN60601-1, IEC60601-1-11*, IEC/UL/CSA/EN62368-1, 60950-1, CE Mark
No Load Power Consumption	W	< 0.5W
EMC	-	EN60601-2, IEC60601-1-2 Ed4:2014, EN55011 Class B, EN55024 Class B EN55024 Class B, FCC Part 15 Class B, FCC Part 18 Class B
Altitude	m	5,000 maximum
Weight (Typ)	g	1570g
Size (WxLxH)	mm	112 x 222 x 45
Cable Length	mm	800
AC Input Connector	-	Class I: IEC 320-C14 (3 prong); Class II: IEC 320-C18 (2 prong)
Output Connector	-	See Output Connector on page 3
Warranty	yrs	3

\* Class II D2 models

## Model Selector

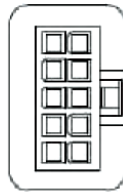
Model	Output (V)	Maximum Output (A)	Maximum Power (W)	Ripple /Noise	Regulation (mV)	Efficiency Level	Class
DTM300PW-120D1	12V	25A	300W	240mV	±5%	VI	I
DTM300PW-150D1	15V	20A	300W	300mV	±5%	VI	I
DTM300PW-190D1	19V	15.79A	300W	300mV	±5%	VI	I
DTM300PW-240D1	24V	12.5A	300W	300mV	±5%	VI	I
DTM300PW-280D1	28V	10.71A	300W	300mV	±5%	VI	I
DTM300PW-480D1	48V	6.25A	300W	300mV	±5%	VI	I
DTM300PW-540D1	54V	5.56A	300W	300mV	±5%	VI	I
DTM300PW-120D2	12V	25A	300W	240mV	±5%	VI	II
DTM300PW-150D2	15V	20A	300W	300mV	±5%	VI	II
DTM300PW-190D2	19V	15.79A	300W	300mV	±5%	VI	II
DTM300PW-240D2	24V	12.5A	300W	300mV	±5%	VI	II
DTM300PW-280D2	28V	10.71A	300W	300mV	±5%	VI	II
DTM300PW-480D2	48V	6.25A	300W	300mV	±5%	VI	II
DTM300PW-540D2	54V	5.56A	300W	300mV	±5%	VI	II

## Outline Drawing DTM300-D Series



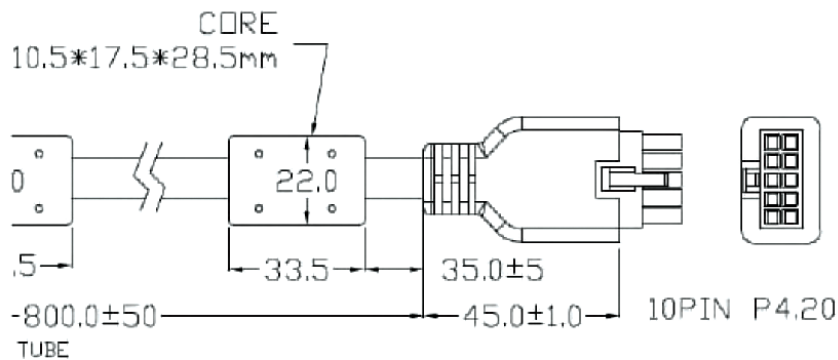
## Output Connector DTM300-D Series

- 1. BROWN (GND)
- 2. BLACK (GND)
- 3. BLUE (GND)
- 4. GREEN (GND)
- 5. D.W (GND)



- 6. RED (+V)
- 7. WHITE (+V)
- 8. YELLOW (+V)
- 9. ORANGE (+V)
- 10. N.C

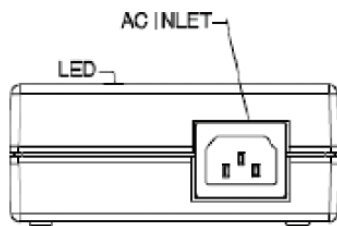
FRONT VIEW  
10P DIN



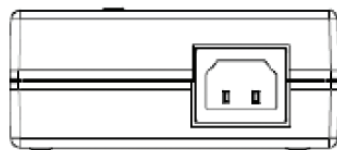
### Matching connectors

DC Output Connector  
Standard male plug (power supply side): 10 PIN Mini Fit Jr Pitch; 4.2mm  
Mating Connector: Molex P/N: 39-28-1103 or equivalent.  
DC output cable: 8C+1, UL2464, 16AWG, VW-1, 80°C, 300V

## Input Connector Class I & Class II



Front View (EC320-C14)



Front View (EC320-C18)



## TDK-Lambda France SAS

3 Avenue du Canada  
Parc Technopolis  
Bâtiment Sigma  
91940 les Ulis  
France  
Tel: +33 1 60 12 71 65  
Fax: +33 1 60 12 71 66  
france@fr.tdk-lambda.com  
www.emea.lambda.tdk.com/fr



## Italy Sales Office

Via Giacomo Matteotti 62  
20092 Cinisello Balsamo (MI)  
Italy  
Tel: +39 02 61 29 38 63  
Fax: +39 02 61 29 09 00  
info.italia@it.tdk-lambda.com  
www.emea.lambda.tdk.com/it



## Netherlands

info@nl.tdk-lambda.com  
www.emea.lambda.tdk.com/nl



## TDK-Lambda Germany GmbH

Karl-Bold-Strasse 40  
77855 Achern  
Germany  
Tel: +49 7841 666 0  
Fax: +49 7841 5000  
info.germany@de.tdk-lambda.com  
www.emea.lambda.tdk.com/de



## Austria Sales Office

Aredstrasse 22  
2544 Leobersdorf  
Austria  
Tel: +43 2256 655 84  
Fax: +43 2256 645 12  
info@at.tdk-lambda.com  
www.emea.lambda.tdk.com/at



## Switzerland Sales Office

Eichtalstrasse 55  
8634 Hombrechtikon  
Switzerland  
Tel: +41 44 850 53 53  
Fax: +41 44 850 53 50  
info@ch.tdk-lambda.com  
www.emea.lambda.tdk.com/ch



## Nordic Sales Office

Haderslevvej 36B  
DK-6000 Kolding  
Denmark  
Tel: +45 8853 8086  
info@dk.tdk-lambda.com  
www.emea.lambda.tdk.com/dk



## TDK-Lambda UK Ltd.

Kingsley Avenue  
Ilfracombe  
Devon EX34 8ES  
United Kingdom  
Tel: +44 (0) 12 71 85 66 66  
Fax: +44 (0) 12 71 86 48 94  
info@uk.tdk-lambda.com  
www.emea.lambda.tdk.com/uk



## TDK-Lambda Ltd.

1 Alexander Yanai  
Segula  
Petah-Tikva  
Israel  
Tel: +9 723 902 4333  
Fax: +9 723 902 4777  
info@tdk-lambda.co.il  
www.emea.lambda.tdk.com/il



## C.I.S.

### Commercial Support:

Tel: +7 (495) 665 2627

### Technical Support:

Tel: +7 (812) 658 0463

info@tdk-lambda.ru

www.emea.lambda.tdk.com/ru

## Local Distribution

