



250W Medical / ITE External Power Supplies



Features	Benefits
• Meets DoE Level VI & EU Tier 2 Efficiency	• Easier System Design
• Medical & ITE Certifications	• Suitable for B & BF Rated Systems
• < 0.15W Off-load Power Draw	• Consumes Less Energy
• Meets IEC60601-1-2 Ed4	• Simplifies Equipment Design

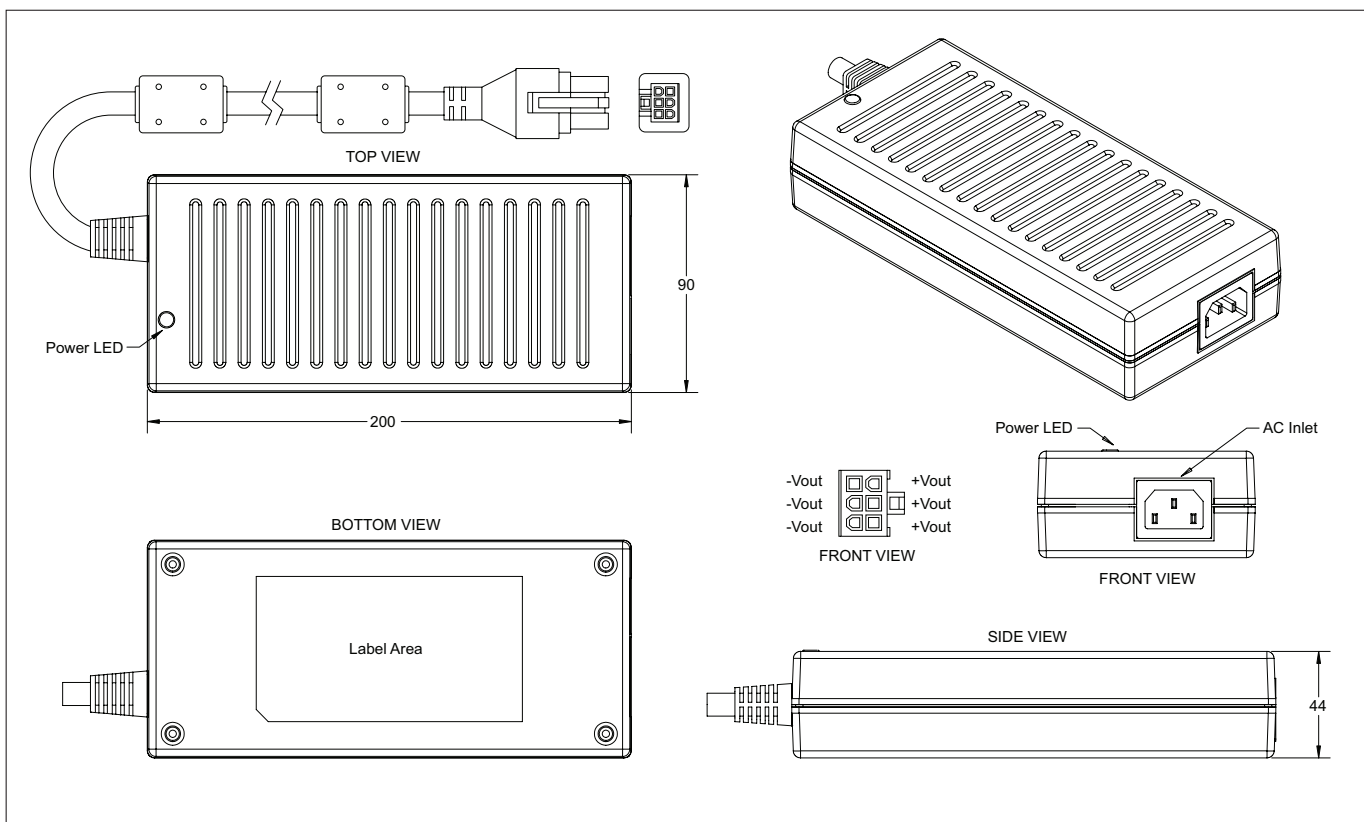
Specification		DTM250-D
Model		DTM250-D
Input Voltage range	VAC	90 - 264VAC (47 - 63Hz)
Inrush Current	A	<80A at 230VAC input, 25°C ambient cold start
Input Current	A	2.5A @115VAC; 1.3A @230VAC Maximum
Touch Current	-	<100uA @ 264VAC
Power Factor	-	Meets EN61000-3-2, >0.9 at 230VAC full load
Hold Up Time (Typ)	ms	10ms at 115VAC input
Temperature Coefficient	%/°C	±0.05%/°C
Adjustment Range	-	None
Minimum Load	A	None
Total Regulation	%	±5%
Ripple & Noise (pk-pk)	mV	12V: 240mV, 19 - 54V: 300mV
Overload & Short Circuit Protection	-	105 - 160% - hiccup mode
Overvoltage Protection	V	Auto-recovery
Efficiency	%	>89%, average efficiency
Operating Temperature	°C	-20°C to +60°C derate linearly to 50% load from 40°C to 60°C Derate linearly to 80% load from 0°C to -20°C
Storage Temperature	°C	-20°C to +85°C
Humidity (non condensing)	%RH	0 - 95%RH
Cooling	-	Convection
Withstand Voltage	VAC	Input to Output 4kVAC (2xMoPP), Input and Output to Ground 1.5kVAC (1xMoPP)
Safety Agency Certification	-	IEC/ES/CSA/EN60601-1, IEC60601-1-11, IEC/UL/CSA/EN60950-1, CE Mark
Offload Power Consumption	W	< 0.15W
EMC	-	IEC60601-1-2 Ed4:2014, EN55011 Class B, EN55032 Class B, FCC Part 15 Class B, FCC Part 18 Class B
Altitude	m	5,000m maximum
Weight (Typ)	g	1300g
Size (WxLxH)	(mm)	90 x 200 x 45mm
Cable Length	mm	800mm
AC Input Connector	-	IEC 320-C14 (3 prong)
Output Mating Connector	-	Molex Mini Fit 39-28-1063 or equivalent; Pins 1 - 3: -Vout, Pins 4 - 6: +Vout
Warranty	yrs	3

Notes: Other connectors are available. Contact factory.

Model Selector

Model	Output (V)	Maximum Output (A)	Maximum Power (W)
DTM250PW120D	12V	20.83A	250W
DTM250PW190D	19V	13.157A	250W
DTM250PW240D	24V	10.416A	250W
DTM250PW280D	28V	8.928A	250W
DTM250PW360D	36V	6.94A	250W
DTM250PW480D	48V	5.208A	250W
DTM250PW540D	54V	4.629A	250W

Outline Drawing DTM250-D Series





TDK-Lambda France SAS

3 Avenue du Canada
Parc Technopolis
Bâtiment Sigma
91940 les Ulis
France
Tel: +33 1 60 12 71 65
Fax: +33 1 60 12 71 66
france@fr.tdk-lambda.com
www.fr.tdk-lambda.com



Italy Sales Office

Via Giacomo Matteotti 62
20092 Cinisello Balsamo (MI)
Italy
Tel: +39 02 61 29 38 63
Fax: +39 02 61 29 09 00
info.italia@it.tdk-lambda.com
www.it.tdk-lambda.com



Netherlands

info@nl.tdk-lambda.com
www.nl.tdk-lambda.com



TDK-Lambda Germany GmbH

Karl-Bold-Strasse 40
77855 Achern
Germany
Tel: +49 7841 666 0
Fax: +49 7841 5000
info.germany@de.tdk-lambda.com
www.de.tdk-lambda.com



Austria Sales Office

Aredstrasse 22
2544 Leobersdorf
Austria
Tel: +43 2256 655 84
Fax: +43 2256 645 12
info@at.tdk-lambda.com
www.de.tdk-lambda.com



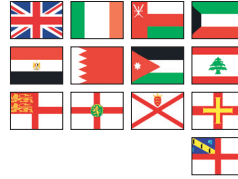
Switzerland Sales Office

Eichtalstrasse 55
8634 Hombrechtikon
Switzerland
Tel: +41 44 850 53 53
Fax: +41 44 850 53 50
info@ch.tdk-lambda.com
www.de.tdk-lambda.com



Nordic Sales Office

Haderslevvej 36B
DK-6000 Kolding
Denmark
Tel: +45 8853 8086
info@dk.tdk-lambda.com



TDK-Lambda UK Ltd.

Kingsley Avenue
Ilfracombe
Devon EX34 8ES
United Kingdom
Tel: +44 (0) 12 71 85 66 66
Fax: +44 (0) 12 71 86 48 94
powersolutions@uk.tdk-lambda.com
www.uk.tdk-lambda.com



TDK-Lambda Ltd.

1 Alexander Yanai
Segula
Petah-Tikva
Israel
Tel: +9 723 902 4333
Fax: +9 723 902 4777
info@tdk-lambda.co.il
www.tdk-lambda.co.il



C.I.S.

Commercial Support:
Tel: +7 (495) 665 2627
Technical Support:
Tel: +7 (812) 658 0463
info@tdk-lambda.ru
www.tdk-lambda.ru

Local Distribution

