



## DPP480 Series

480W Single Output  
DIN Rail Mount Power Supplies

- Low Cost
- 24 or 48V Outputs
- Wide Range AC Input
- Active PFC
- Parallel Function Switch
- -40°C to +71°C Operation

### Key Market Segments & Applications

Key Market Segments & Applications

Industrial Controls:	Motor Control Systems
Factory Automation:	Process Control, Automotive, Chemical Processing
Test & Measurement:	Burn in & Test, Instrumentation Measurement

### DPP480 Features and Benefits

#### Features

- PFC Compliant to EN61000-3-2
- UL508 Approvals
- TS35/7.5 or TS35/15 DIN Rail Mounting

#### Benefits

- Supports Global Use
- Easier System Configuration
- Easy System Integration

### Specifications

MODELS		DPP480-24-1	DPP480-48-1
ITEMS			
AC Input Voltage range	VAC	90 - 264VAC	
Input Frequency	Hz	47 - 63Hz	
DC Input Voltage range	VDC	120 - 370VDC	
Inrush Current (115 / 230VAC)	A	25 / 50A	
Power Factor	-	Meets EN61000-3-2 Class A, typ 0.99 at 230VAC input	
Input Current (115/230VAC)	A	7 / 3.5A	
Output Voltage	V	24V	48V
Output Current	A	20A	10A
Output Voltage Adjustment Range	-	22.5 - 28.5V	47 - 56V
Output Voltage Accuracy	%	-0, +1% of Nominal	
Line Regulation	%	±0.5%	
Load Regulation	%	±0.5% (±5% when set in parallel mode)	
Ripple and Noise (20MHz BW)	mV	100mV	
Overcurrent Protection (Typ)	-	120 - 140%	
Overvoltage Protection	V	30 - 33V	57 - 63V
Hold Up Time (115VAC input)	ms	> 30ms	
Efficiency (typ)	%	89%	90%
Parallel operation	-	Set in single or parallel (droop) mode - maximum of 3 units	
LED Indicators	-	Green LED = On, Red LED = DC Output Low	
DC Good Relay (24V model only)	-	0.3A rated normally open relay contacts, closes when output is above 17.6 - 19.4V	
Operating Temperature	--	-40°C to +71°C (Derate linearly 2.5%/°C from 56°C to 71°C) <sup>(2)</sup>	
Storage Temperature	-	-40°C to +85°C	
Operating Humidity	-	20 - 95% RH (non condensing)	
Cooling	(1) -	Convection	
Withstand Voltage	-	Input to Output 3kVAC for 1 min.	
Isolation Resistance	Ω	>100MΩ at 25°C & 70%RH, Output to Ground 500VDC	
Safety Agency Approvals	(2) -	UL508 Listed, IEC/UL/CSA/EN62368-1, 60950-1, CE Mark	
Conducted & Radiated EMI	-	EN55022 class B	
Weight (Typ)	g	1920g	
Size (WxHxD)	mm	175 x 125 x 123	
Case material	-	Metal	
Warranty	yrs	3	

#### Notes:

(1) Recommend 1" clearance on all sides (2) Consult Sales Office for use under DC Input conditions

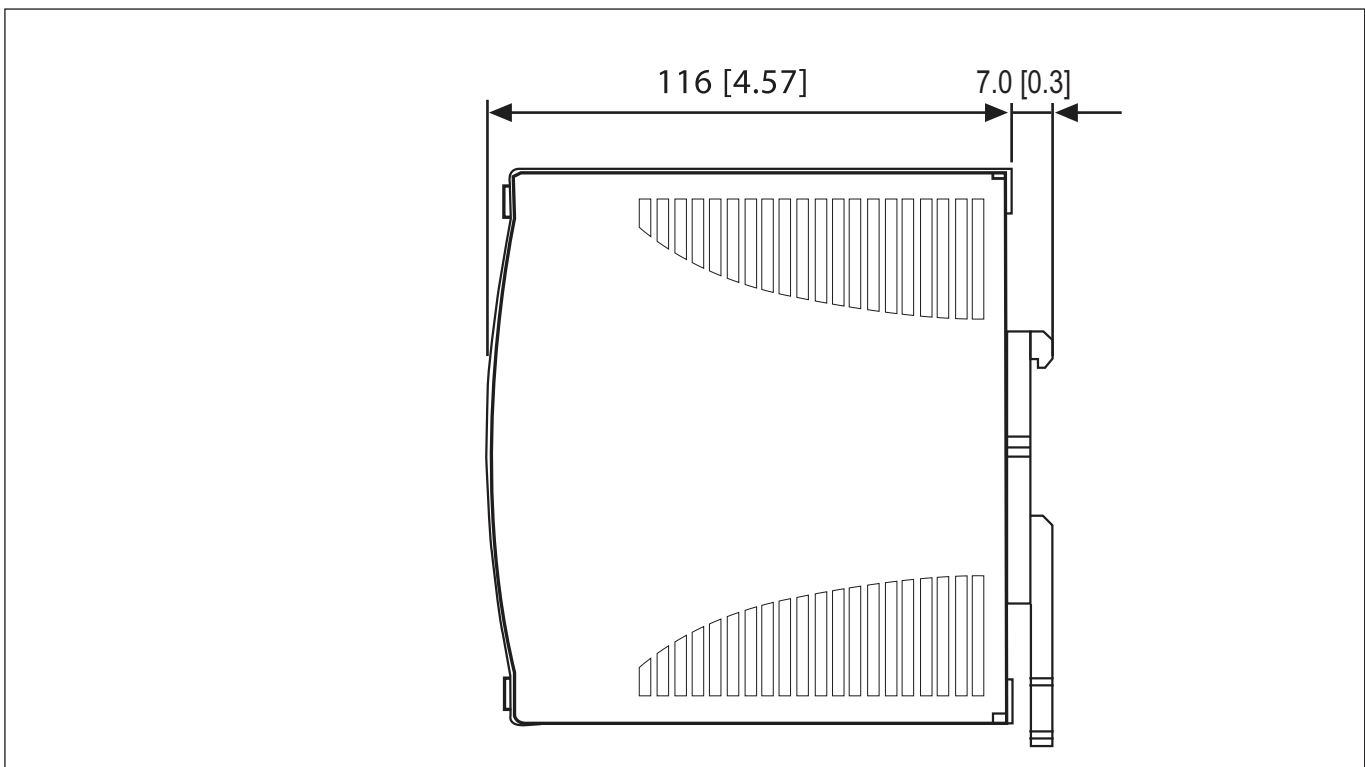
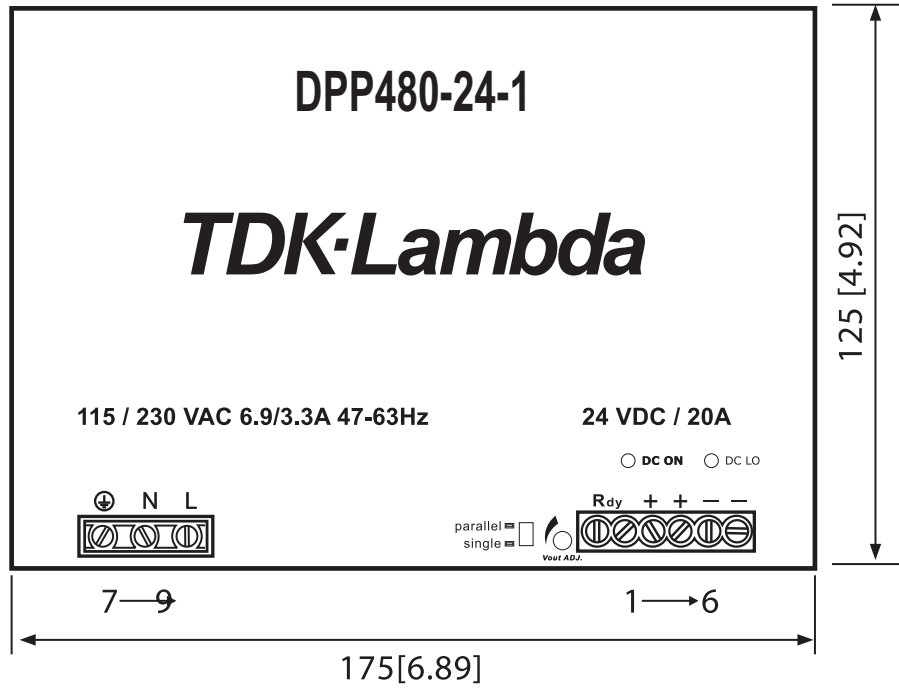
Model Selector					
Model	Output Voltage (V)	Output Adjust (V)	Output Curr. (A)	Max. Output Power (W)	Efficiency at Full Load (%)
DPP480-24-1	24	22.5 - 28.5	20	480	89
DPP480-48-1	48	47.0 - 56.0	10	480	90

For plug type connectors add suffix 'B' to part number

PIN Assignments	
Pin#	Function
1	DC Good Relay
2	DC Good Relay
3	V+
4	V+
5	V-
6	V-
7	GND
8	N
9	L

Outline Drawing DPP480 Series

Dimensions are in millimeters (inches)





**TDK-Lambda France SAS**

3 Avenue du Canada  
 Parc Technopolis  
 Bâtiment Sigma  
 91940 les Ulis  
 France  
 Tel: +33 1 60 12 71 65  
 Fax: +33 1 60 12 71 66  
[france@fr.tdk-lambda.com](mailto:france@fr.tdk-lambda.com)  
[www.emea.lambda.tdk.com/fr](http://www.emea.lambda.tdk.com/fr)



**Italy Sales Office**

Via Giacomo Matteotti 62  
 20092 Cinisello Balsamo (MI)  
 Italy  
 Tel: +39 02 61 29 38 63  
 Fax: +39 02 61 29 09 00  
[info.italia@it.tdk-lambda.com](mailto:info.italia@it.tdk-lambda.com)  
[www.emea.lambda.tdk.com/it](http://www.emea.lambda.tdk.com/it)



**Netherlands**

[info@nl.tdk-lambda.com](mailto:info@nl.tdk-lambda.com)  
[www.emea.lambda.tdk.com/nl](http://www.emea.lambda.tdk.com/nl)



**TDK-Lambda Germany GmbH**

Karl-Bold-Strasse 40  
 77855 Achern  
 Germany  
 Tel: +49 7841 666 0  
 Fax: +49 7841 5000  
[info.germany@de.tdk-lambda.com](mailto:info.germany@de.tdk-lambda.com)  
[www.emea.lambda.tdk.com/de](http://www.emea.lambda.tdk.com/de)



**Austria Sales Office**

Aredstrasse 22  
 2544 Leobersdorf  
 Austria  
 Tel: +43 2256 655 84  
 Fax: +43 2256 645 12  
[info@at.tdk-lambda.com](mailto:info@at.tdk-lambda.com)  
[www.emea.lambda.tdk.com/at](http://www.emea.lambda.tdk.com/at)



**Switzerland Sales Office**

Eichtalstrasse 55  
 8634 Hombrechtikon  
 Switzerland  
 Tel: +41 44 850 53 53  
 Fax: +41 44 850 53 50  
[info@ch.tdk-lambda.com](mailto:info@ch.tdk-lambda.com)  
[www.emea.lambda.tdk.com/ch](http://www.emea.lambda.tdk.com/ch)



**Nordic Sales Office**

Haderslevvej 36B  
 DK-6000 Kolding  
 Denmark  
 Tel: +45 8853 8086  
[info@dk.tdk-lambda.com](mailto:info@dk.tdk-lambda.com)  
[www.emea.lambda.tdk.com/dk](http://www.emea.lambda.tdk.com/dk)



**TDK-Lambda UK Ltd.**

Kingsley Avenue  
 Ilfracombe  
 Devon EX34 8ES  
 United Kingdom  
 Tel: +44 (0) 12 71 85 66 66  
 Fax: +44 (0) 12 71 86 48 94  
[info@uk.tdk-lambda.com](mailto:info@uk.tdk-lambda.com)  
[www.emea.lambda.tdk.com/uk](http://www.emea.lambda.tdk.com/uk)



**TDK-Lambda Ltd.**

1 Alexander Yanai  
 Segula  
 Petah-Tikva  
 Israel  
 Tel: +9 723 902 4333  
 Fax: +9 723 902 4777  
[info@tdk-lambda.co.il](mailto:info@tdk-lambda.co.il)  
[www.emea.lambda.tdk.com/il](http://www.emea.lambda.tdk.com/il)



**C.I.S.**

**Commercial Support:**  
 Tel: +7 (495) 665 2627  
**Technical Support:**  
 Tel: +7 (812) 658 0463  
[info@tdk-lambda.ru](mailto:info@tdk-lambda.ru)  
[www.emea.lambda.tdk.com/ru](http://www.emea.lambda.tdk.com/ru)

**Local Distribution**

