



- Suitable for use in Custom Power Supplies
- Provides high voltage DC to TDK-Lambda's PH & PAF Power Modules
- Parallel operation on PF Series
- 12.7mm profile

PF Series

Rectifier & Power Factor Correction Modules

PF Features and Benefits

Features

- Low profile
- Parallel
- Power Factor corrected (PF)
- Operation up to 85°C

Benefits

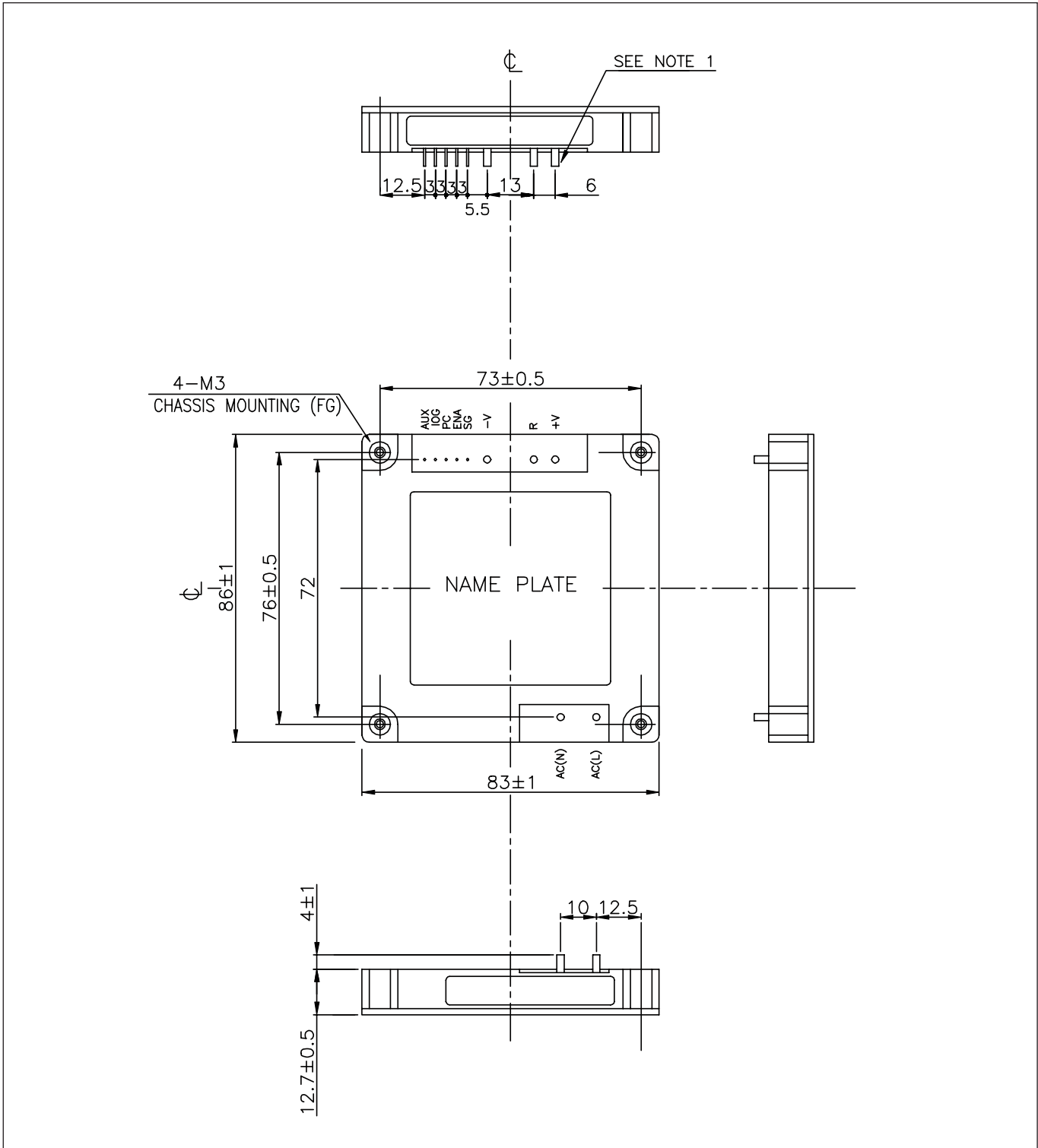
- Assist system integration
- For higher power or N+1 operation
- Supports Global Use
- Operates in harsh environments

Specifications

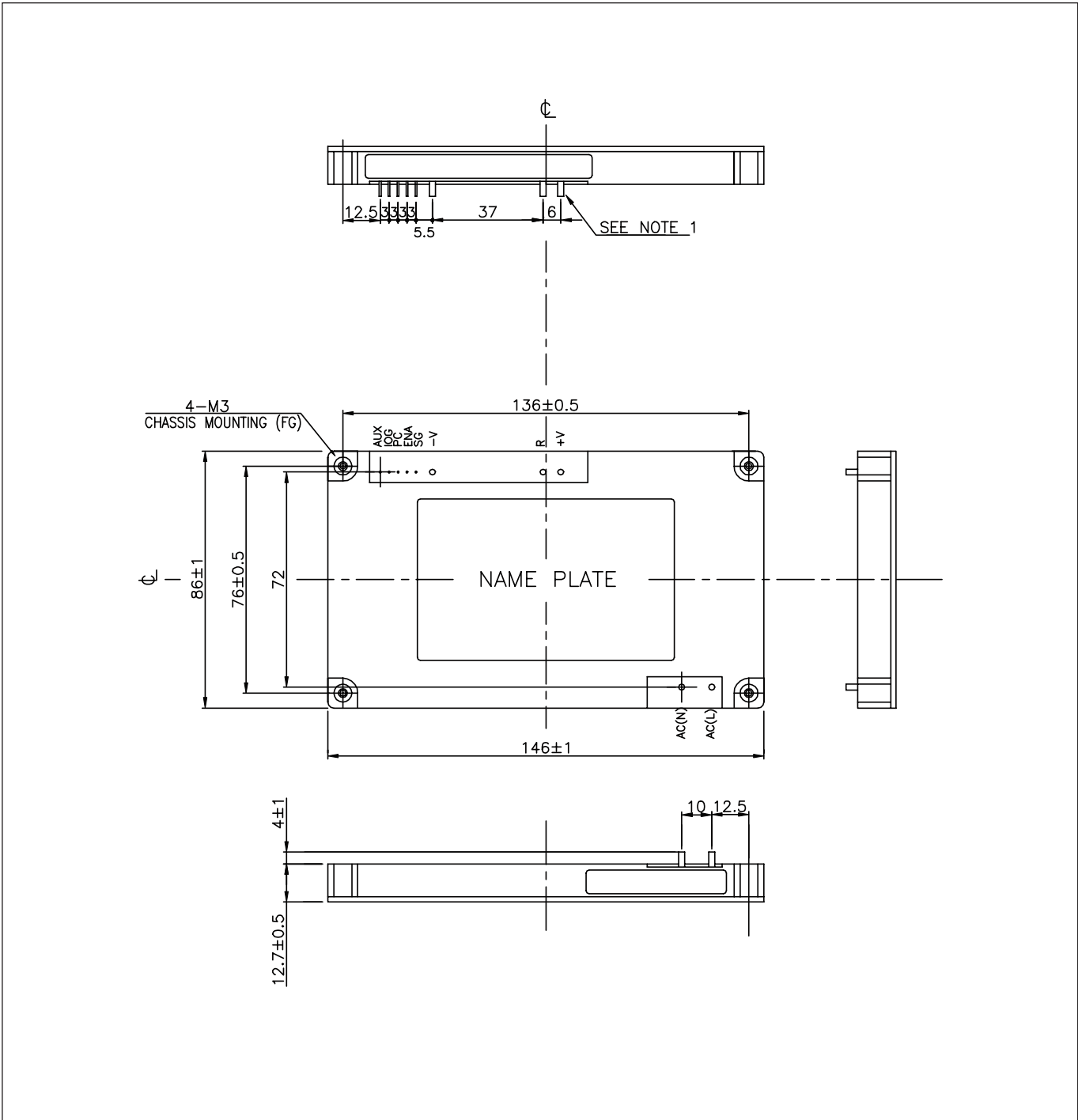
| Items | | PF500A-360 | PF1000A-360 |
|------------------------------------|-----|--------------------------------------------------------|-------------|
| AC Input Voltage range & Frequency | VAC | 85-265 wide range | |
| Input Frequency | - | 47 - 63Hz | |
| Output Voltage | VDC | 360 | |
| Output Power at 100/200VAC | W | 504/756W | 1008/1512W |
| Load Regulation | - | 10V | |
| Line Regulation | - | 5V typical | |
| Inrush Current | A | External pins provided connection for in rush resistor | |
| Efficiency (typ) at full load | % | 90% (100VAC), 95% (200VAC) | |
| Power Factor | - | Meets EN61000-3-2 (0.95 typical) | |
| Overcurrent Protection | - | Converter shutdown | |
| Overvoltage Protection | V | 390 - 400VDC, manual reset | |
| Thermal Shutdown | - | Shuts down Inverter, manual reset | |
| Inverter Good Signal | - | Yes, when inverter is operating correctly | |
| Enable Signal | - | Signal provided to enable "PH" DC-DC converters | |
| Parallel Connection | - | Single wire current share | |
| Auxiliary Output Voltage | - | Yes - see installation manual | |
| Operating Baseplate Temperature | °C | -20°C to +85°C (no derating) | |
| Storage Temperature | °C | -40°C to +85°C | |
| Cooling | - | Conduction (see installation manuals for heatsinks) | |
| Withstand Voltage | - | Input - Ground 3kVAC for 1 min | |
| Safety Agency Approvals | - | IEC/EN/UL/CSA60950-1, IEC/EN/UL/CSA62368-1 and CE Mark | |
| Weight | g | 130 | 200 |
| Size (WxHxD) | mm | See outline line drawings | |
| Warranty | yrs | 2 | |

Notes: (Consult Installation Manual for detailed specifications, test methods and application notes)

Outline Drawing PF500A



Outline Drawing PF1000A





TDK-Lambda France SAS

3 Avenue du Canada
 Parc Technopolis
 Bâtiment Sigma
 91940 les Ulis
 France
 Tel: +33 1 60 12 71 65
 Fax: +33 1 60 12 71 66
france@fr.tdk-lambda.com
www.emea.lambda.tdk.com/fr



Italy Sales Office

Via Giacomo Matteotti 62
 20092 Cinisello Balsamo (MI)
 Italy
 Tel: +39 02 61 29 38 63
 Fax: +39 02 61 29 09 00
info.italia@it.tdk-lambda.com
www.emea.lambda.tdk.com/it



Netherlands

info@nl.tdk-lambda.com
www.emea.lambda.tdk.com/nl



TDK-Lambda Germany GmbH

Karl-Bold-Strasse 40
 77855 Achern
 Germany
 Tel: +49 7841 666 0
 Fax: +49 7841 5000
info.germany@de.tdk-lambda.com
www.emea.lambda.tdk.com/de



Austria Sales Office

Aredstrasse 22
 2544 Leobersdorf
 Austria
 Tel: +43 2256 655 84
 Fax: +43 2256 645 12
info@at.tdk-lambda.com
www.emea.lambda.tdk.com/at



Switzerland Sales Office

Eichtalstrasse 55
 8634 Hombrechtikon
 Switzerland
 Tel: +41 44 850 53 53
 Fax: +41 44 850 53 50
info@ch.tdk-lambda.com
www.emea.lambda.tdk.com/ch



Nordic Sales Office

Haderslevvej 36B
 DK-6000 Kolding
 Denmark
 Tel: +45 8853 8086
info@dk.tdk-lambda.com
www.emea.lambda.tdk.com/dk



TDK-Lambda UK Ltd.

Kingsley Avenue
 Ilfracombe
 Devon EX34 8ES
 United Kingdom
 Tel: +44 (0) 12 71 85 66 66
 Fax: +44 (0) 12 71 86 48 94
powersolutions@uk.tdk-lambda.com
www.emea.lambda.tdk.com/uk



TDK-Lambda Ltd.

1 Alexander Yanai
 Segula
 Petah-Tikva
 Israel
 Tel: +9 723 902 4333
 Fax: +9 723 902 4777
info@tdk-lambda.co.il
www.emea.lambda.tdk.com/il



C.I.S.

Commercial Support:
 Tel: +7 (495) 665 2627
Technical Support:
 Tel: +7 (812) 658 0463
info@tdk-lambda.ru
www.emea.lambda.tdk.com/ru

Local Distribution

