



2-4W Wide AC-DC Input PCB-Mount Power Supplies



Features	Benefits
• 90 - 305VAC Input Voltage	• Global Use
• Class II (No ground needed)	• Easy Rapid On-Board Integration
• Wide Temperature Range (-40 to +80°C)	• Use in a Range of Professional Industrial Applications
• Low off-load Power Consumption	• Friendly Environmental Footprint

Specification		KAS2	KAS4
Input Voltage Range	-	90-305VAC 47-63Hz or 120-430VDC*	90-305VAC 47-440Hz or 120-430VDC*
Inrush Current Limiting (115 / 230VAC) (1)	A	30 / 50A	15 / 25A
Input Current (115 / 230VAC)	mA	75 / 55mA	110 / 70mA
No Load Power Consumption	W	<0.3W	
Recommended External Fuse	-	3.15 A slow blow type	
Temperature Coefficient	-	±0.02%/°C	
Voltage Set Accuracy	%	±6%	±2%
Minimum Load	-	None	
Overcurrent Protection	-	Hiccup mode, automatic recovery	
Overvoltage Protection	%	No	
Hold-up Time (115 / 230VAC)	ms	>15ms	
Leakage Current (Touch)	mA	<0.25mA at <240VAC	
Operating Temperature	-	-40°C to +80°C, derate linearly to 40% load from 60°C to 80°C	-40°C to +70°C, derate linearly to 40% load from 50°C to 70°C (2)
Storage Temperature	-	-40°C to +85°C	
Humidity	%RH	10% to 95% RH (non-condensing)	
Cooling	-	Convection	
Withstand Voltage	VAC	Input to output: 3kVAC	
Immunity	-	EN55024 (With external varistor L-N rated at 350Vrms maximum, 920V clamp, 0.6W minimum)	
Safety Agency Certification	-	UL/CSA/IEC/EN 60950-1, IEC/EN60335-1 (Designed to meet), CE Mark	
Conducted and Radiated EMI	-	EN55032 Class B	
Weight	g	19.9	26
Size (LxWxH)	mm	28.5 x 25.8 x 17.0	37.0 x 27.5 x 17.5
Mounting & Case	-	PC board mountable. Resin case (UL 94V-0)	
MTBF (MIL-HDBK-217F)	hrs	>450,000 hours	
Warranty	yrs	3	

Notes:

(1) Cold start, 25°C ambient. Requires 10Ω 5A external NTC thermistor

(2) Model dependent, see installation manual for details

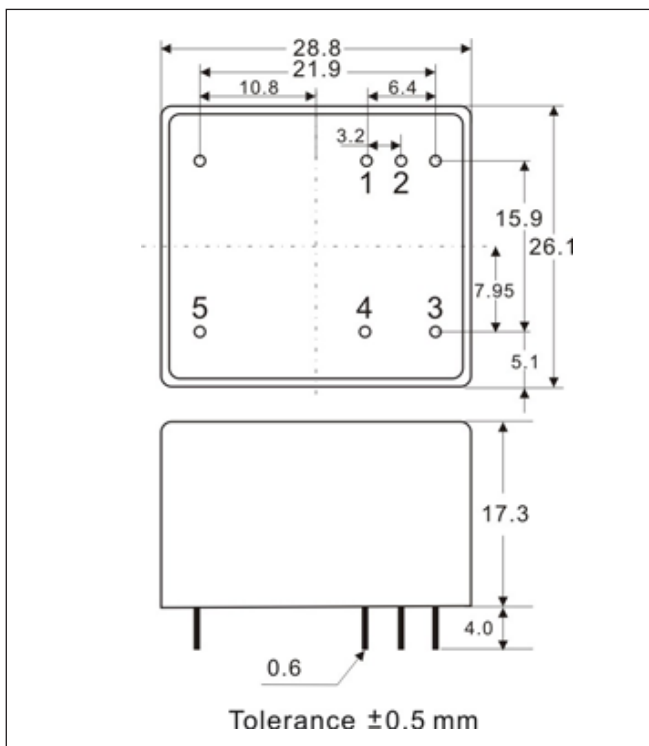
* Safety certified for AC input, 47-63Hz only

Model Selector

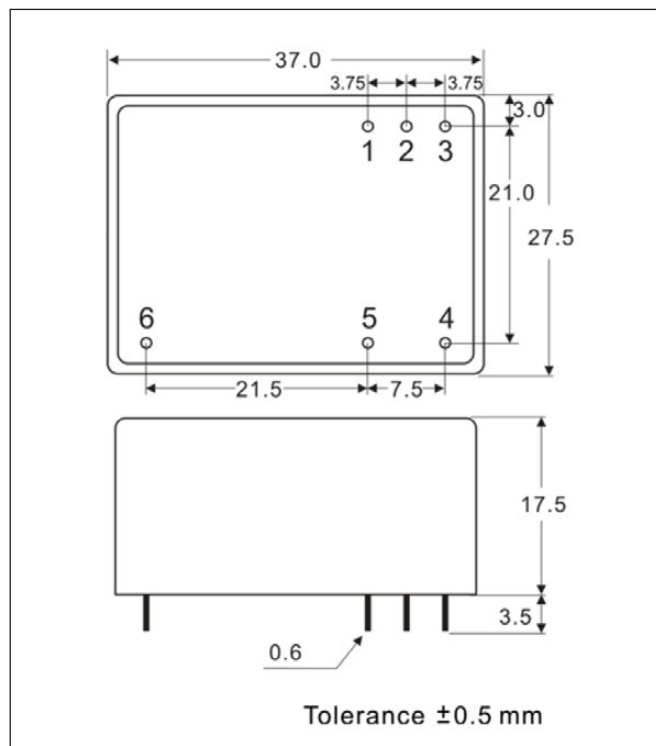
Model	Output Voltage (V)	Maximum Current (A)	Power (W)	Output Ripple & Noise (mV)	Line Regulation (mV)	Load Regulation (typ) (3)	Efficiency (%)	Maximum Capacitive Load (μ F)	
KAS2-3P3	V1	3.3V	0.6A	2W	300mV	\pm 165mV	\pm 198mV	66%	7000
KAS4-3P3	V1	3.3V	1.2A	4W	250mV	\pm 16.5mV	\pm 49.5mV	68%	5000
KAS2-5	V1	5V	0.4A	2W	300mV	\pm 250mV	\pm 300mV	70%	4000
KAS4-5	V1	5V	0.8A	4W	250mV	\pm 25mV	\pm 75mV	72%	4200
KAS4-8	V1	8V	0.5A	4W	200mV	\pm 40mV	\pm 120mV	74%	1470
KAS2-9	V1	9V	0.22A	2W	300mV	\pm 450mV	\pm 540mV	73%	1200
KAS4-9	V1	9V	0.444A	4W	200mV	\pm 45mV	\pm 135mV	75%	1330
KAS2-12	V1	12V	0.167A	2W	300mV	\pm 600mV	\pm 720mV	73%	500
KAS4-12	V1	12V	0.333A	4W	150mV	\pm 24mV	\pm 60mV	76%	680
KAS4-14	V1	14V	0.286A	4W	150mV	\pm 28mV	\pm 70mV	76%	470
KAS2-15	V1	15V	0.133A	2W	300mV	\pm 750mV	\pm 900mV	73%	350
KAS4-15	V1	15V	0.267A	4W	100mV	\pm 30mV	\pm 75mV	76%	330
KAS2-24	V1	24V	0.083A	2W	300mV	\pm 1200mV	\pm 1440mV	75%	110
KAS4-24	V1	24V	0.167A	4W	100mV	\pm 48mV	\pm 120mV	77%	120

Notes: (3) KAS2 10-100% load change

Outline Drawing KAS2



Outline Drawing KAS4



Pin Assignment

PIN #	KAS2	KAS4
1	+Vout	+Vout
2	-Vout	-Vout
3	Neutral	Not connected
4	Line	Line
5	Not connected	Neutral
6	-	Not connected



TDK-Lambda France SAS

3 Avenue du Canada
Parc Technopolis
Bâtiment Sigma
91940 les Ulis
France
Tel: +33 1 60 12 71 65
Fax: +33 1 60 12 71 66
france@fr.tdk-lambda.com
www.fr.tdk-lambda.com



Italy Sales Office

Via Giacomo Matteotti 62
20092 Cinisello Balsamo (MI)
Italy
Tel: +39 02 61 29 38 63
Fax: +39 02 61 29 09 00
info.italia@it.tdk-lambda.com
www.it.tdk-lambda.com



Netherlands

info@nl.tdk-lambda.com
www.nl.tdk-lambda.com



TDK-Lambda Germany GmbH

Karl-Bold-Strasse 40
77855 Achern
Germany
Tel: +49 7841 666 0
Fax: +49 7841 5000
info.germany@de.tdk-lambda.com
www.de.tdk-lambda.com



Austria Sales Office

Aredstrasse 22
2544 Leobersdorf
Austria
Tel: +43 2256 655 84
Fax: +43 2256 645 12
info@at.tdk-lambda.com
www.de.tdk-lambda.com



Switzerland Sales Office

Bahnhofstrasse 50
8305 Dietlikon
Switzerland
Tel: +41 44 850 53 53
Fax: +41 44 850 53 50
info@ch.tdk-lambda.com
www.de.tdk-lambda.com



Nordic Sales Office

Haderslevvej 36B
DK-6000 Kolding
Denmark
Tel: +45 2911 9556
info@dk.tdk-lambda.com



TDK-Lambda UK Ltd.

Kingsley Avenue
Ilfracombe
Devon EX34 8ES
United Kingdom
Tel: +44 (0) 12 71 85 66 66
Fax: +44 (0) 12 71 86 48 94
powersolutions@uk.tdk-lambda.com
www.uk.tdk-lambda.com



TDK-Lambda Ltd.

1 Alexander Yanai
Segula
Petah-Tikva
Israel
Tel: +9 723 902 4333
Fax: +9 723 902 4777
info@tdk-lambda.co.il
www.tdk-lambda.co.il



C.I.S.

Commercial Support:

Tel: +7 (495) 665 2627

Technical Support:

Tel: +7 (812) 658 0463

info@tdk-lambda.ru

www.tdk-lambda.ru

Local Distribution

