



## PAF600F

24V & 48V Input Full Brick DC-DC Converters

- 12V output for driving non-isolated converters
- Safety Approved
- Full power at 100°C baseplate
- Opto Isolated Remote On / Off
- Wide Adjustable Output Range

### Key Market Segments & Applications

Central Office:	ATM, Sonet, DSL, ISDN, Frame Relay
Broadband:	Switching Equipment, Routers
Wireless/Cellular:	Micro Cells (larger in size/10 sq. mi.) Pico Cells (smaller in size/1 to 2 sq. mi.)
Remote Electronics:	Fixed Local Loop, Fiber Optic Transmission, Microwave Transmission, Wireless Local Loop Base Station Power Amplifiers

### PAF600F Features and Benefits

#### Features

- Wide adjustment range
- Parallel Pin
- ASIC Design
- 24V & 48V Inputs

#### Benefits

- Reduces need for custom modules
- Modules can be connected together for higher current
- Reduced component count, increased MTBF
- Suitable for remote & central office applications

### Specifications

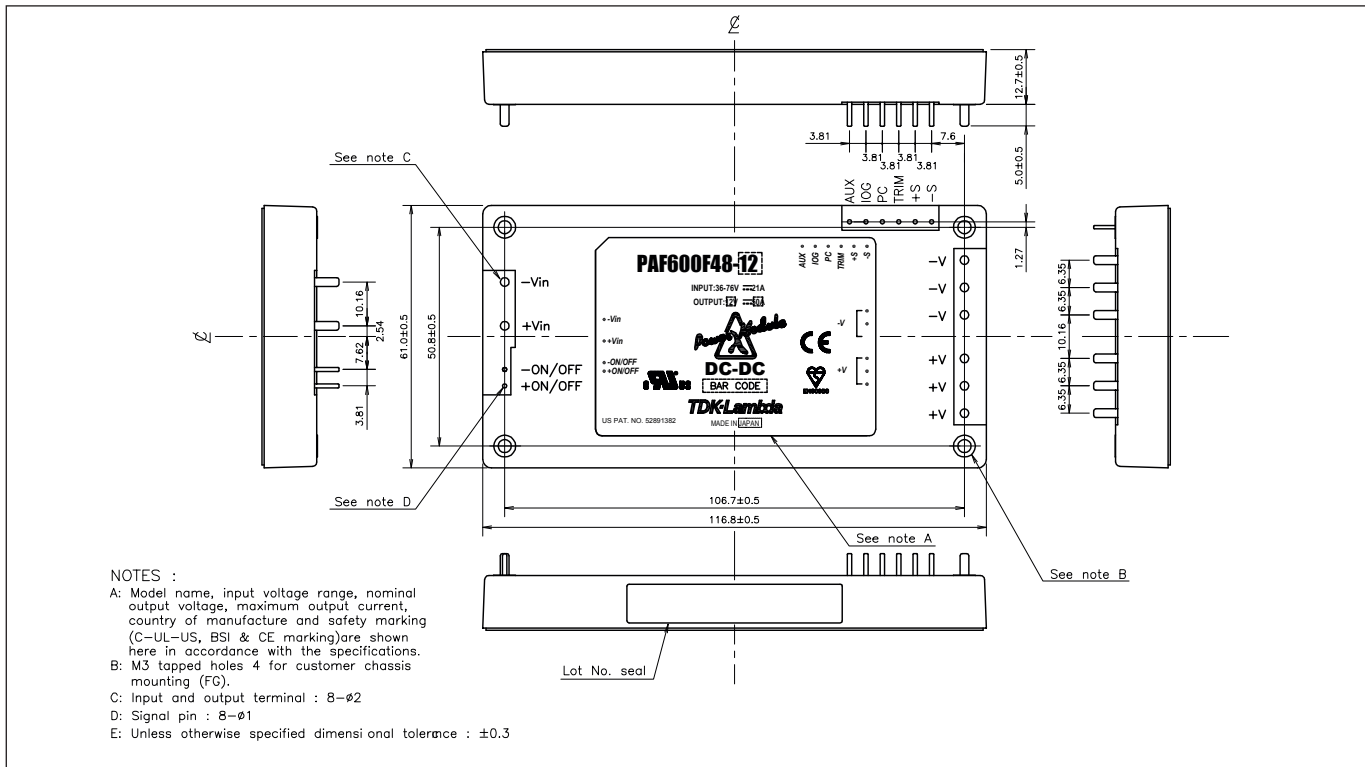
ITEMS	MODEL	PAF600F24-12 PAF600F48-12		PAF600F24-28 PAF600F48-28	
		Nominal Output Voltage	VDC	12	
Output Current (Max)	A	50		21.5	
Output Power (Max)	W	600		602	
Efficiency (Typ)	%	89 to 90%			
Input Voltage Range	VDC	20-36 / 36-76		19-36 / 36-76	
Input Current(Typ) 24/48V input	A	28.9 / 14.2		28.9 / 14.1	
Output Voltage Accuracy	%	±1			
Output Voltage Adjustment	VDC	7.2 - 13.2		16.8 - 30.8	
Ripple & Noise (Max)	mV	200		280	
Line Regulation (Max)	mV	24		56	
Load Regulation (Max)	mV	24		56	
Temperature Coefficient	-	0.02%/°C			
Overcurrent Protection	%	105 - 140%			
Overvoltage Protection	%	115-135%			
Signals & Control	-	Remote sense, remote On/Off, Parallel Pin, DC Good, 7-10V Auxiliary voltage			
Operating Temperature	-	-40°C to +100°C baseplate			
Humidity (operating)	-	30-95% RH Non condensing			
Humidity (storage)	-	10-95% RH Non condensing			
Cooling	-	Conduction (See Installation Manual for heatsink selection)			
Isolation Voltage	VDC	Input - Baseplate 1500V, Input - Output 1500V, Output-Baseplate 500V (for 1 min.)			
Shock	-	196.1m/s <sup>2</sup>			
Vibration	-	Non Operating, 10-55Hz (sweep for 1 min.) Amplitude 0.825mm constant (Max 49 m/s <sup>2</sup> ) X,Y,Z 1 hour each			
Safety Agency Approvals	-	IEC/UL/CSA/EN62368-1, 60950-1, CE Mark			
Weight (Typ)	g	250			
Size (WxHxD)	in(mm)	2.4 x 0.5 x 4.6 (61 x 12.7 x 116.8) See outline drawing			
Warranty	-	2 years			

**Note:** See Installation Manual for full details, test methods of parameters and application notes.

Pinout	
Pin Description	Function
-Vin	Negative Input Terminal
+Vin	Positive Input Terminal
- ON/OFF	Remote On/Off Negative Terminal
+ON/OFF	Remote On/Off Positive Terminal
+V	Positive Output Terminal
-V	Negative Output Terminal
AUX	7-10V Aux Voltage
IOG	DC Good
PC	Parallel Control Connection
TRIM	Output Adjustment Trim Pin
+S	Positive Remote Sense
-S	Negative Remote Sense

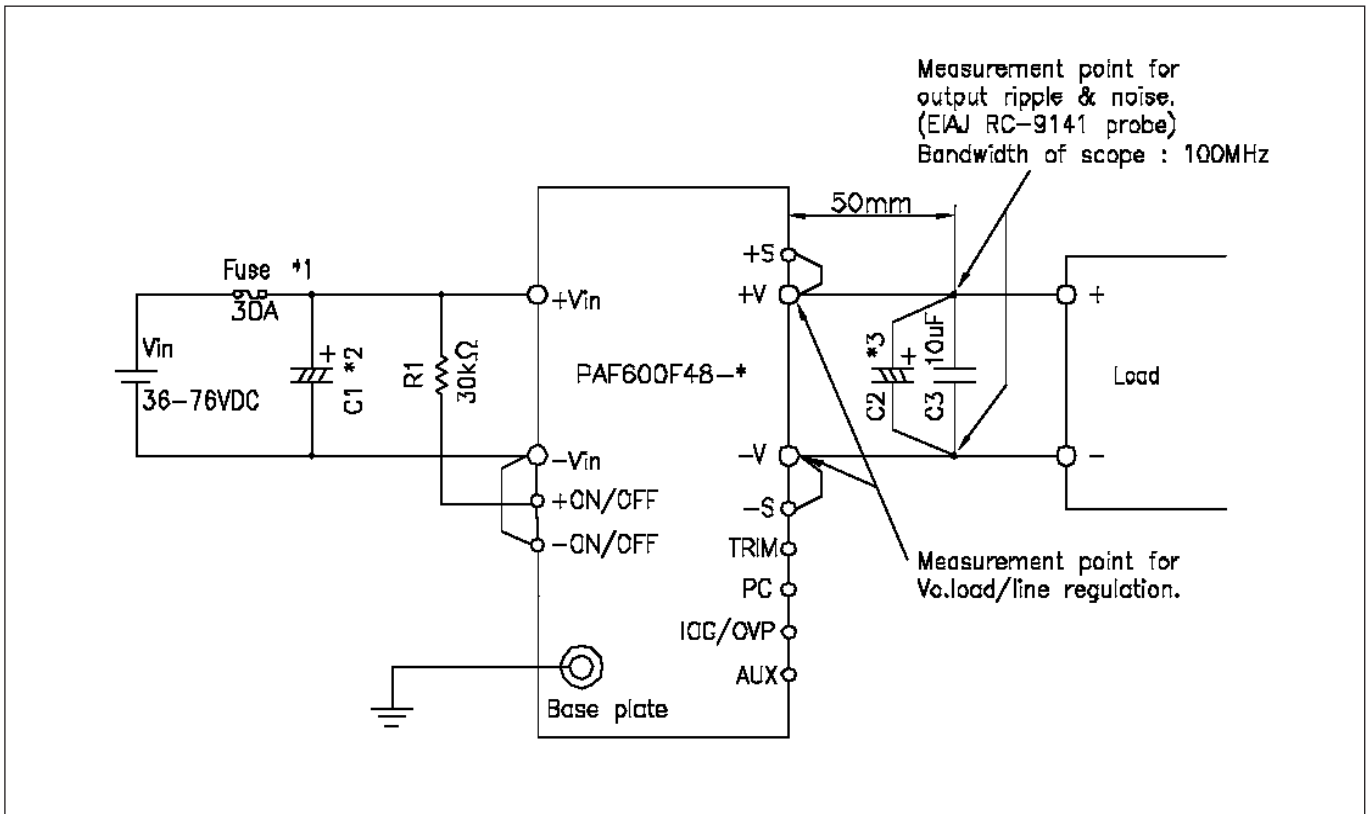
Options	
Suffix	Description
Blank	
/T	No thread in mounting holes

**Outline Drawing PAF600F**

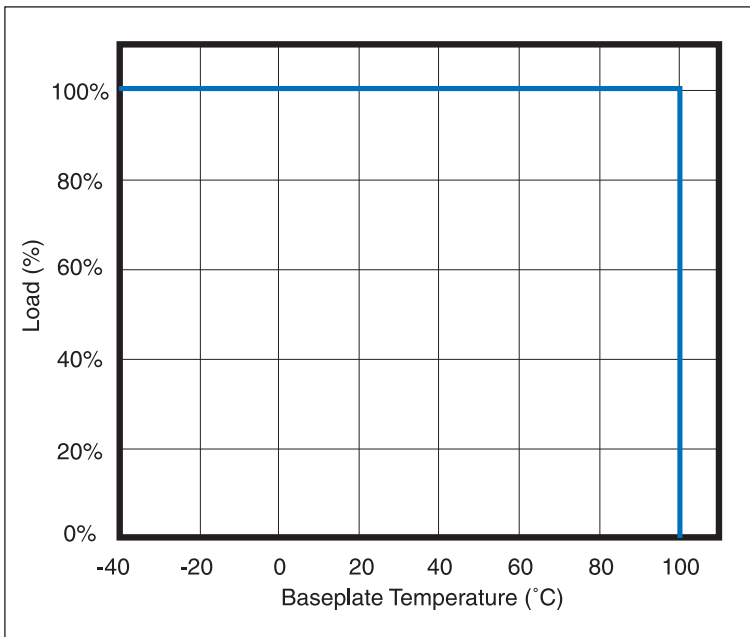


Heatsink Table		
Heatsink	Size (mm)	Thermal Resistance
HAF-10L	116.8 x 25.4 x 61	2.2°C/W
HAF-15L	116.8 x 38.1 x 61	1.9°C/W
HAF-15T	116.8 x 38.1 x 61	1.5°C/W

## Connection Example



## Derating Curve PAF600F Series



For full data and drawings please visit  
[www.emea.tdk-lambda.com/www/paf](http://www.emea.tdk-lambda.com/www/paf)



**TDK-Lambda France SAS**

3 Avenue du Canada  
 Parc Technopolis  
 Bâtiment Sigma  
 91940 les Ulis  
 France  
 Tel: +33 1 60 12 71 65  
 Fax: +33 1 60 12 71 66  
 france@fr.tdk-lambda.com  
 www.emea.lambda.tdk.com/fr



**Italy Sales Office**

Via Giacomo Matteotti 62  
 20092 Cinisello Balsamo (MI)  
 Italy  
 Tel: +39 02 61 29 38 63  
 Fax: +39 02 61 29 09 00  
 info.italia@it.tdk-lambda.com  
 www.emea.lambda.tdk.com/it



**Netherlands**

info@nl.tdk-lambda.com  
 www.emea.lambda.tdk.com/nl



**TDK-Lambda Germany GmbH**

Karl-Bold-Strasse 40  
 77855 Achem  
 Germany  
 Tel: +49 7841 666 0  
 Fax: +49 7841 5000  
 info.germany@de.tdk-lambda.com  
 www.emea.lambda.tdk.com/de



**Austria Sales Office**

Aredstrasse 22  
 2544 Leobersdorf  
 Austria  
 Tel: +43 2256 655 84  
 Fax: +43 2256 645 12  
 info@at.tdk-lambda.com  
 www.emea.lambda.tdk.com/at



**Switzerland Sales Office**

Eichtalstrasse 55  
 8634 Hombrechtikon  
 Switzerland  
 Tel: +41 44 850 53 53  
 Fax: +41 44 850 53 50  
 info@ch.tdk-lambda.com  
 www.emea.lambda.tdk.com/ch



**Nordic Sales Office**

Haderslevvej 36B  
 DK-6000 Kolding  
 Denmark  
 Tel: +45 8853 8086  
 info@dk.tdk-lambda.com  
 www.emea.lambda.tdk.com/dk



**TDK-Lambda UK Ltd.**

Kingsley Avenue  
 Ilfracombe  
 Devon EX34 8ES  
 United Kingdom  
 Tel: +44 (0) 12 71 85 66 66  
 Fax: +44 (0) 12 71 86 48 94  
 info@uk.tdk-lambda.com  
 www.emea.lambda.tdk.com/uk



**TDK-Lambda Ltd.**

1 Alexander Yanai  
 Segula  
 Petah-Tikva  
 Israel  
 Tel: +9 723 902 4333  
 Fax: +9 723 902 4777  
 info@tdk-lambda.co.il  
 www.emea.lambda.tdk.com/il



**C.I.S.**

**Commercial Support:**  
 Tel: +7 (495) 665 2627  
**Technical Support:**  
 Tel: +7 (812) 658 0463  
 info@tdk-lambda.ru  
 www.emea.lambda.tdk.com/ru

**Local Distribution**

