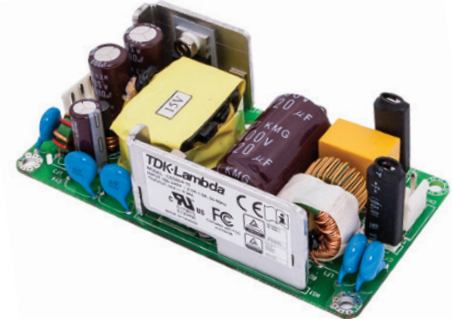




2 x4" 40-65W AC-DC Medical & ITE Power Supplies

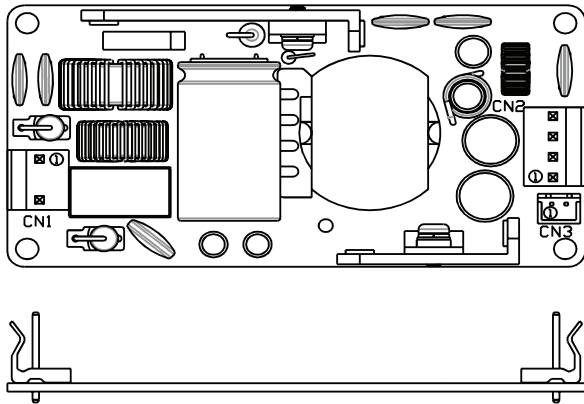
| Features | Benefits |
|-------------------------------|---------------------------------|
| • Industry Standard Footprint | • Availability to Second Source |
| • Wide Range AC Input | • Global Operation |
| • Dual Input Fuses | • Easier System Compliance |



| Specification | | |
|-----------------------------|--------|---|
| Model | CSS65A | |
| Input Voltage Range | - | 90 - 264VAC (47 - 63Hz) |
| Inrush Current (115/230VAC) | A | Less than 45A / 90A, 25°C ambient cold start |
| Input Current (115/230VAC) | A | 2 / 1 |
| Leakage Current | uA | <250uA 264VAC 63Hz |
| Touch Current | uA | <100uA 264VAC 63Hz |
| Hold Up Time (Typ) | ms | >10ms at 115VAC input |
| Off-Load Power Consumption | W | <75mW |
| Average Efficiency | % | 5V: 86%, 12-54V: 89% |
| Temperature Coefficient | %/°C | ±0.05%/°C |
| Output Voltage Accuracy | % | ±1% |
| Output Adjustment Range | - | None |
| Remote Sense | - | Yes |
| Minimum Load | A | None |
| Output Regulation | % | 5V: ±5%, 12-28V: ±3%, 48-54V: ±2% |
| Ripple & Noise | % | See Model Selector |
| Overcurrent Protection | - | 110 - 180%, Auto-Recovery |
| Overvoltage Protection | V | 110 - 130% of nominal (Cycle input power to reset) |
| Operating Temperature | °C | 0°C to +70°C derate linearly to 50% load from 50°C to 70°C |
| Storage Temperature | °C | -40°C to +85°C |
| Humidity (non condensing) | %RH | 10 - 90%RH |
| Cooling | - | Convection |
| Withstand Voltage | VAC | Input to Ground 1.5kVAC, Input to Output 4kVAC (Reinforced) (2 x MOPPS), Output to Ground 1.5kVAC (1xMOPPS). |
| Isolation Resistance | MΩ | >20MΩ at 25°C & 70%RH, Output to Ground 500VDC |
| Vibration (non operating) | - | 23.52m/s ² (10 - 55Hz: constant sweep 1 min X, Y, Z for 1 hour) |
| Shock | - | < 196.1 m/s ² (20G) |
| Safety Agency Approvals | - | UL/CSA/IEC/EN60601-1, ANSI/AAMI ES60601-1, UL/CSA/IEC/EN60950-1, UL/CSA/IEC/EN62368-1, CE Mark |
| Conducted & Radiated EMI | - | EN55011-B, FCC Class B |
| Immunity | - | EN60601-1-2, IEC61000-4 |
| Altitude | m | Medical: 3,000m, ITE: 5,000m |
| Weight (Typ) | g | 136g |
| Size (WxLxH) | mm | 50.8 x 101.6 x 30.5 (including underside components) |
| Warranty | yrs | 3 |

Outline Drawing CSS65A Series

Input/Output Connectors (Molex)



CN1: Input Connector

JST B3P-VH-B pitch: 3.96mm or equivalent,
mates with JST VHR-3N or equivalent

| Pin # | Signal |
|-------|------------|
| 1 | AC Neutral |
| 2 | AC Line |

TKP P8800I P8800I-03 or Molex equivalent
mates with MOLEX 5239 09-65-4034 or equivalent

| Pin # | Signal |
|-------|------------|
| 1 | AC Line |
| 2 | AC Neutral |

CN2: Main Output Connector

JST B4P-VH-B pitch: 3.96mm or equivalent,
mates with JST VHR-4N or equivalent

| Pin # | Signal |
|-------|--------|
| 1 | GND |
| 2 | GND |
| 3 | +Vo |
| 4 | +Vo |

TKP P8800I P8800I-04 or Molex equivalent
mates with MOLEX 5239 09-52-4044 or equivalent

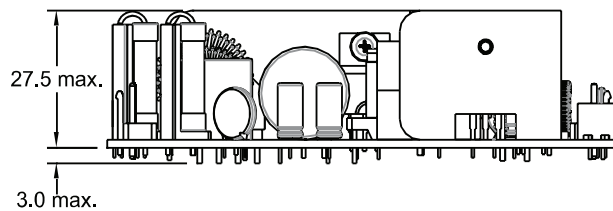
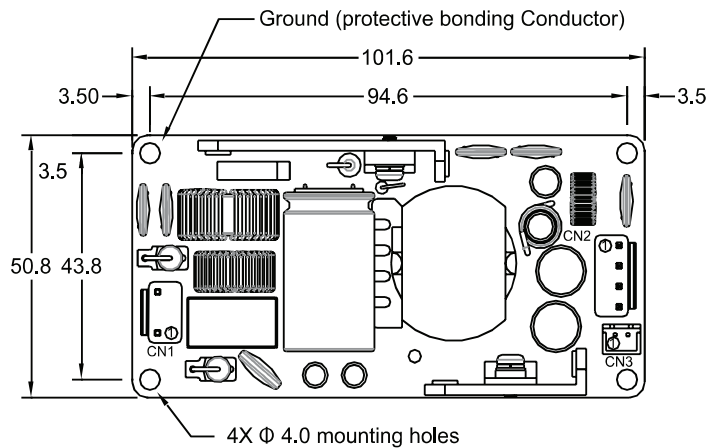
| Pin # | Signal |
|-------|--------|
| 1 | +Vo |
| 2 | +Vo |
| 3 | GND |
| 4 | GND |

CN3: Remote Sense Connector

JST B2B-XH-A pitch: 2.5mm or equivalent,
mates with JST XHP-2 or equivalent

| Pin # | Signal |
|-------|-------------|
| 1 | +Vo Sense + |
| 2 | +Vo Sense - |

JST Input/Output Connectors shown (/J option)



Model Selector

| Model | Output (V) | Maximum Output (A) | Maximum Power (W) | Ripple and Noise Full Load (mV) | Ripple and Noise <30% Load (mV) (1) |
|-----------|------------|--------------------|-------------------|---------------------------------|-------------------------------------|
| CSS65A-5 | 5 | 8.0 | 40 | 100 | 200 |
| CSS65A-12 | 12 | 5.42 | 65 | 120 | 200 |
| CSS65A-15 | 15 | 4.34 | 65 | 120 | 300 |
| CSS65A-19 | 19 | 3.43 | 65 | 120 | 300 |
| CSS65A-24 | 24 | 2.71 | 65 | 200 | 300 |
| CSS65A-28 | 28 | 2.33 | 65 | 200 | 350 |
| CSS65A-48 | 48 | 1.36 | 65 | 200 | 480 |
| CSS65A-54 | 54 | 1.21 | 65 | 200 | 480 |

Notes: (1) Ripple level increases at light loading to meet new efficiency standards

Options

| Suffix | Description |
|--------|-----------------------------------|
| Blank | Molex Input and Output Connectors |
| /J | JST Input and Output Connectors |



TDK-Lambda France SAS

3 Avenue du Canada
Parc Technopolis
Bâtiment Sigma
91940 les Ulis
France
Tel: +33 1 60 12 71 65
Fax: +33 1 60 12 71 66
france@fr.tdk-lambda.com
www.emea.lambda.tdk.com/fr



Italy Sales Office

Via Giacomo Matteotti 62
20092 Cinisello Balsamo (MI)
Italy
Tel: +39 02 61 29 38 63
Fax: +39 02 61 29 09 00
info.italia@it.tdk-lambda.com
www.emea.lambda.tdk.com/it



Netherlands

info@nl.tdk-lambda.com
www.emea.lambda.tdk.com/nl



TDK-Lambda Germany GmbH

Karl-Bold-Strasse 40
77855 Achern
Germany
Tel: +49 7841 666 0
Fax: +49 7841 5000
info.germany@de.tdk-lambda.com
www.emea.lambda.tdk.com/de



Austria Sales Office

Aredstrasse 22
2544 Leobersdorf
Austria
Tel: +43 2256 655 84
Fax: +43 2256 645 12
info@at.tdk-lambda.com
www.emea.lambda.tdk.com/at



Switzerland Sales Office

Eichtalstrasse 55
8634 Hombrechtikon
Switzerland
Tel: +41 44 850 53 53
Fax: +41 44 850 53 50
info@ch.tdk-lambda.com
www.emea.lambda.tdk.com/ch



Nordic Sales Office

Haderslevvej 36B
DK-6000 Kolding
Denmark
Tel: +45 8853 8086
info@dk.tdk-lambda.com
www.emea.lambda.tdk.com/dk



TDK-Lambda UK Ltd.

Kingsley Avenue
Ilfracombe
Devon EX34 8ES
United Kingdom
Tel: +44 (0) 12 71 85 66 66
Fax: +44 (0) 12 71 86 48 94
info@uk.tdk-lambda.com
www.emea.lambda.tdk.com/uk



TDK-Lambda Ltd.

1 Alexander Yanai
Segula
Petah-Tikva
Israel
Tel: +9 723 902 4333
Fax: +9 723 902 4777
info@tdk-lambda.co.il
www.emea.lambda.tdk.com/il



C.I.S.

Commercial Support:
Tel: +7 (495) 665 2627
Technical Support:
Tel: +7 (812) 658 0463
info@tdk-lambda.ru
www.emea.lambda.tdk.com/ru

Local Distribution

