



Industrial



Test

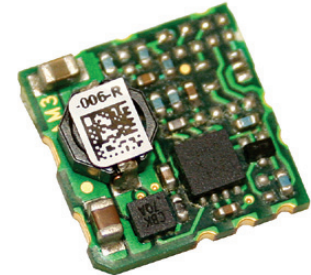


Comm



Broadcast

3A Non-isolated SMT Point of Load



Features	Benefits
• Fully Optimised Control Loop with Excellent Transient Response	• No External Loop Tuning Components Needed
• DOSA Compatible Footprint	• Ideal for Second Sourcing
• LGA or EPC Format	• Choice of Layout

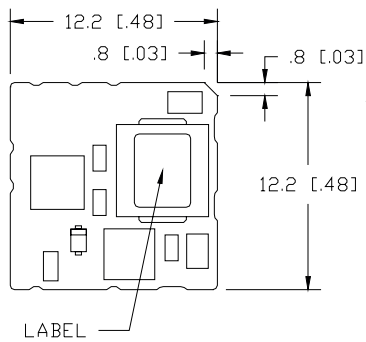
Specification		
Model	iCF	
DC Output Voltage	V	0.7 - 5.5
DC Input Voltage	V	4.5 - 14
Efficiency	%	85 - 93.5 (1.2Vout to 5Vout)
Output Voltage Tolerance	%	±3
Switching Frequency	kHz	600
Line Regulation	mV	3
Load Regulation	mV	6
Preload	-	none
Output Ripple and Noise	mVpp	15
Overcurrent Protection	A	Hiccup Type
Remote On / Off	-	yes
Remote Sense	-	yes
Power Good Signal	-	yes
Operating Temperature	°C	-40°C to 115°C (see thermal data on website)
Storage Temperature	°C	-55°C to 125°C
Safety Agency Approvals	-	IEC/UL/CSA/EN62368-1, 60950-1, CE Mark
Weight	g	1.5g
Size (LxWxH)	mm	12.2 x 12.2 x 4.45
Warranty	yrs	3

Model Selector

Model	Input Voltage (V)	Output Current (A)	Output Voltage (V)	Positive Logic On/Off	Negative Logic On/Off	Sequencing	LGA Solder Bumping
iCF12003A007V-007-R	4.5-14	3	0.70 - 5.5	-	yes	-	yes*

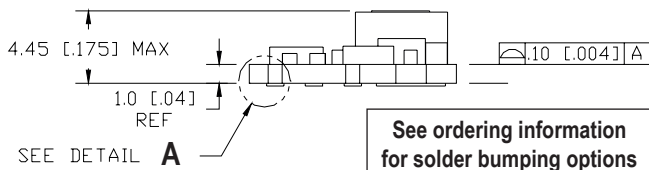
*For EPC solder bumping specify -003-R model suffix

Outline Drawing iCF Series



All Dimensions are in mm. (in).

Unless otherwise specified tolerances are: $xx \pm 0.5\text{mm}$ (0.02), $xxx \pm 0.25\text{mm}$ (0.10)

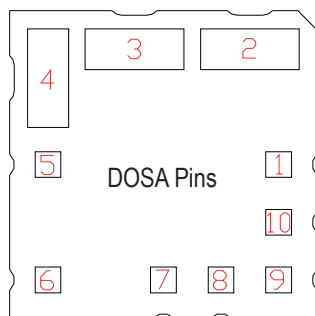


See ordering information for solder bumping options

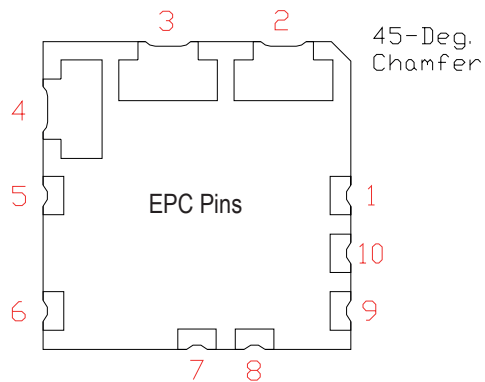
.00 - .23 REF
[.000 - .009]
SOLDER PLATING
THICKNESS ON
LAND GRID ARRAY
10 PLACES

DETAIL A

Pin location bottom view



45-Deg. Chamfer



45-Deg. Chamfer

Pin Assignment

PIN	Function	PIN	Function
1	ON/OFF	6	TRIM
2	VIN	7	GND
3	GND	8	No Connection
4	VOUT	9	No Connection
5	SENSE	10	PWR GOOD



TDK-Lambda France SAS

3 Avenue du Canada
Parc Technopolis
Bâtiment Sigma
91940 les Ulis
France
Tel: +33 1 60 12 71 65
Fax: +33 1 60 12 71 66
france@fr.tdk-lambda.com
www.emea.lambda.tdk.com/fr



Italy Sales Office

Via Giacomo Matteotti 62
20092 Cinisello Balsamo (MI)
Italy
Tel: +39 02 61 29 38 63
Fax: +39 02 61 29 09 00
info.italia@it.tdk-lambda.com
www.emea.lambda.tdk.com/it



Netherlands

info@nl.tdk-lambda.com
www.emea.lambda.tdk.com/nl



TDK-Lambda Germany GmbH

Karl-Bold-Strasse 40
77855 Achern
Germany
Tel: +49 7841 666 0
Fax: +49 7841 5000
info.germany@de.tdk-lambda.com
www.emea.lambda.tdk.com/de



Austria Sales Office

Aredstrasse 22
2544 Leobersdorf
Austria
Tel: +43 2256 655 84
Fax: +43 2256 645 12
info@at.tdk-lambda.com
www.emea.lambda.tdk.com/at



Switzerland Sales Office

Eichtalstrasse 55
8634 Hombrechtikon
Switzerland
Tel: +41 44 850 53 53
Fax: +41 44 850 53 50
info@ch.tdk-lambda.com
www.emea.lambda.tdk.com/ch



Nordic Sales Office

Haderslevvej 36B
DK-6000 Kolding
Denmark
Tel: +45 8853 8086
info@dk.tdk-lambda.com
www.emea.lambda.tdk.com/dk



TDK-Lambda UK Ltd.

Kingsley Avenue
Ilfracombe
Devon EX34 8ES
United Kingdom
Tel: +44 (0) 12 71 85 66 66
Fax: +44 (0) 12 71 86 48 94
info@uk.tdk-lambda.com
www.emea.lambda.tdk.com/uk



TDK-Lambda Ltd.

1 Alexander Yanai
Segula
Petah-Tikva
Israel
Tel: +9 723 902 4333
Fax: +9 723 902 4777
info@tdk-lambda.co.il
www.emea.lambda.tdk.com/il



C.I.S.

Commercial Support:
Tel: +7 (495) 665 2627
Technical Support:
Tel: +7 (812) 658 0463
info@tdk-lambda.ru
www.emea.lambda.tdk.com/ru

Local Distribution

