



SWS50-150W Series

50 to 150W, Single Output
General Purpose Power Supplies

- Low Cost
- Active Power Factor Correction - SWS 100 & 150
- Universal Input (85 - 265VAC)
- Input Transient Protected IEC61000-4
- DIN Rail Mounting Bracket Available

Key Market Segments & Applications

Factory Automation	Process Control, NCMachining, Automotive, Packaging Equipment, Materials Handling, Chemical Processing, Robots
Test & Measurement	Burn-in & Test, Automated, Detection Test, Instrumentation, Measurement
Automated Service	Vending Machines, Elevators, Video Gaming, Point of Sale Equipment

SWS50-150W Features and Benefits

Features

- Meets IEC61000-4
- Global Safety Approvals
- Power Factor Corrected
- Level B EMI

Benefits

- Greater Reliability
- Supports Global Use
- Supports Global Use
- Assists System Compliance

Specifications

MODEL		SWS50	SWS75	SWS100	SWS150
ITEMS					
Input Voltage range	(1) -	85 - 265VAC (47 - 63Hz) or 120 - 370VDC			
Inrush Current 115/230VAC	A	20/40 Ta=25°C Cold Start		16/32 Ta=25°C Cold Start	
Power Factor	-	Meets EN61000-3-2			
Input Current 115/230VAC	A	1.2/0.6 (3.3V: 0.7/0.5)	1.6/0.8 (3.3V: 1.1/0.7)	1.2/0.6 (3.3V: 0.9/0.5)	1.8/0.9 (3.3V: 1.3/0.7)
Temperature Coefficient	-	<0.02%/°C			
Overcurrent Protection	-	>105%, Constant Current Limit			
Overvoltage Protection	V	115 -135%, Cycle AC line to reset			
Hold Up Time (Typ)	mS	20 @ 115VAC			
Leakage Current (max) typ115/230VAC	mA	0.3/0.6		0.25/0.5	
Remote Sense	-	Not Available			
LED Indicator	-	Green LED = On			
Operating Temperature	°C	-10 to 60 (See table for derating - model specific)			
Storage Temperature	°C	-30 to +85			
Operating Humidity	(2) % RH	30 - 90			
Storage Humidity	(2) % RH	10 - 95			
Cooling		Convection			
Withstand Voltage	-	Input to Ground 2kVAC, Input to Output 3kVAC, Output to Ground 500VAC for 1 min.			
Isolation Resistance	-	>100MΩ at 25C & 70%RH, Output to Ground 500VDC			
Vibration (non operating)	-	19.6m/s ² (10 - 55Hz: constant sweep 1 min X, Y, Z for 1 hour)			
Shock	-	< 196.1 m/s ² (20G)			
Safety Agency Approvals	-	UL60950-1, EN60950-1, IEC60950-1, CE Mark, EN50178			
Conducted & Radiated EMI	-	EN55011 / EN55022-B, FCC Class B, VCCI-B			
Immunity	-	EN61000-4-2,-3,-4,-5,-6,-8,-11			
Weight	g	400	480	600	750
Size (WxHxD)	mm	92 x 37 x 159	94 x 43 x 170	96 x 45 x 188	99 x 51 x 198
Warranty	-	2 Years			

Notes: (1) Derate to 85% load below 100VAC input (2) non condensing

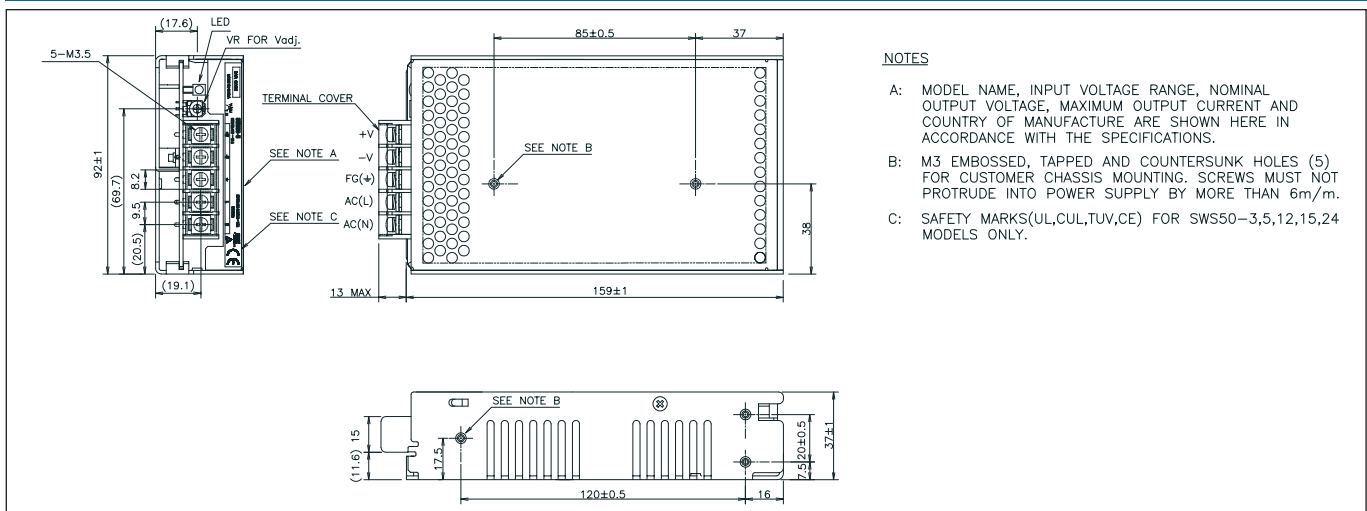
Model Selector							
Model	Voltage	Adjust Range (V)	Max Current (A)	Load Reg mV	Line Reg mV	Ripple Noise mV	Eff. (typ)%
SWS50-3	3.3V	3-3.6V	10	40	20	80	73/70
SWS75-3	3.3V	3-3.6V	15	40	20	80	72/68
SWS100-3	3.3V	3-3.6V	20	40	20	100	69/70
SWS150-3	3.3V	3-3.6V	30	40	20	100	70/72
SWS50-5	5V	4.5-5.5V	10	50	20	80	77/75
SWS75-5	5V	4.5-5.5V	15	50	20	80	77/74
SWS100-5	5V	4.5-5.5V	20	40	20	100	75/77
SWS150-5	5V	4.5-5.5V	30	40	20	100	76/78
SWS50-12	12V	10.8-13.2V	4.3	96	48	80	82/79
SWS75-12	12V	10.8-13.2V	6.3	96	48	80	83/81
SWS100-12	12V	10.8-13.2V	8.5	96	48	100	79/81
SWS150-12	12V	10.8-13.2V	12.5	96	48	100	79/82
SWS50-15	15V	13.5-16.5V	3.5	120	60	100	84/80
SWS75-15	15V	13.5-16.5V	5	120	60	100	85/82
SWS100-15	15V	13.5-16.5V	6.7	120	60	100	81/83
SWS150-15	15V	13.5-16.5V	10	120	60	100	81/83
SWS150-18	18V	16.2-19.8V	8.4	144	72	120	82/84
SWS50-24	24V	21.6-26.4V	2.1	144	96	100	84/80
SWS75-24	24V	21.6-26.4V	3.2	144	96	100	85/82
SWS100-24	24V	21.6-26.4V	4.3	144	96	150	82/84
SWS150-24	24V	21.6-26.4V	6.3	144	96	150	82/85

Vertical Mount Convection	25°C	30°C	35°C	40°C	45°C	50°C	55°C	60°C
SWS50	100%	100%	100%	100%	100%	100%	93%	85%
SWS75 (3.3 - 5V)	100%	100%	100%	100%	93%	85%	73%	60%
SWS75 (12V - 24V)	100%	100%	100%	100%	100%	93%	85%	60%
SWS100	100%	100%	100%	100%	100%	87%	73%	60%
SWS150 (3.3 - 5V)	100%	95%	90%	85%	73%	60%	-	-
SWS150 (12V - 24V)	100%	100%	100%	100%	100%	100%	80%	60%

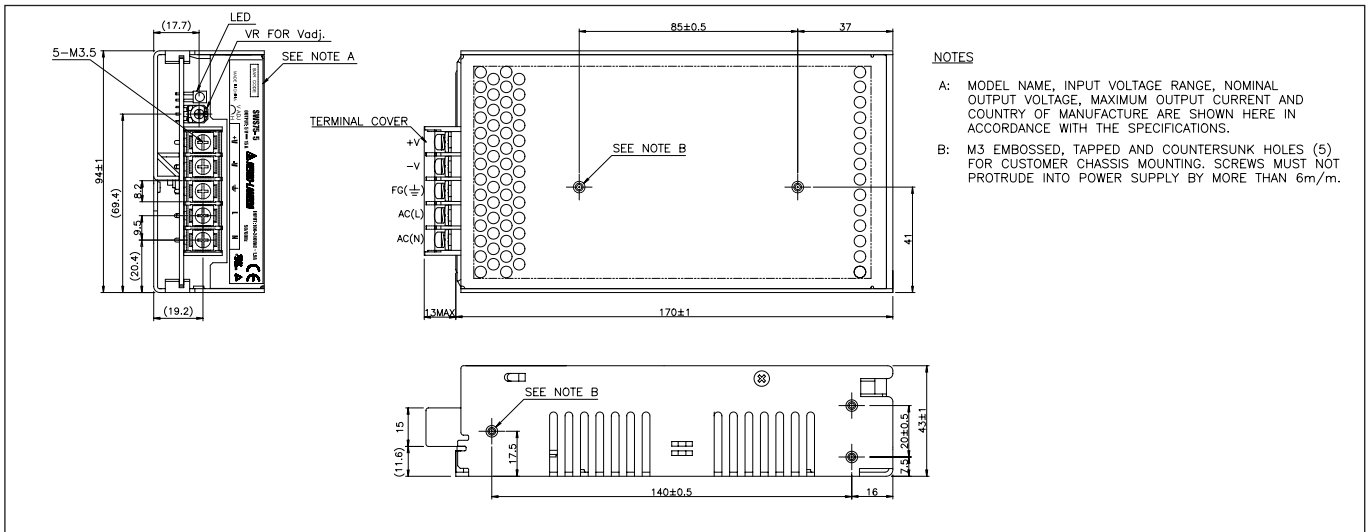
1.2m/s Forced Air	50°C	55°C	60°C	65°C	70°C
SWS75	100%	100%	90%	80%	70%
SWS100	100%	100%	90%	80%	70%
SWS150	100%	100%	90%	80%	70%

Notes: Derate to 80% load from 0 to -10°C

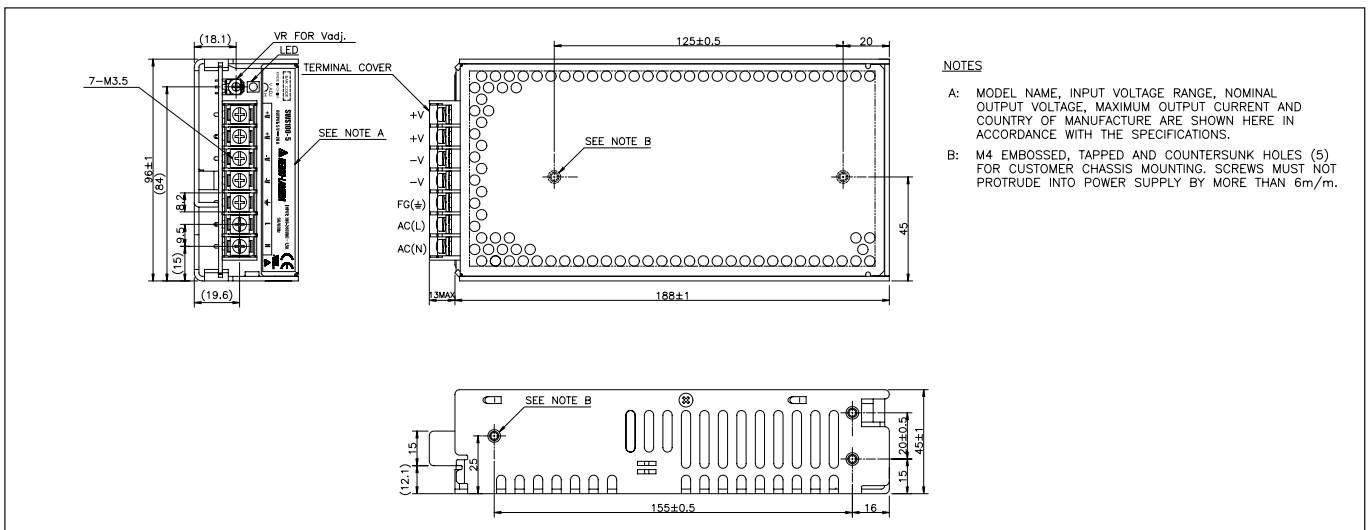
Outline Drawing SWS50 Series



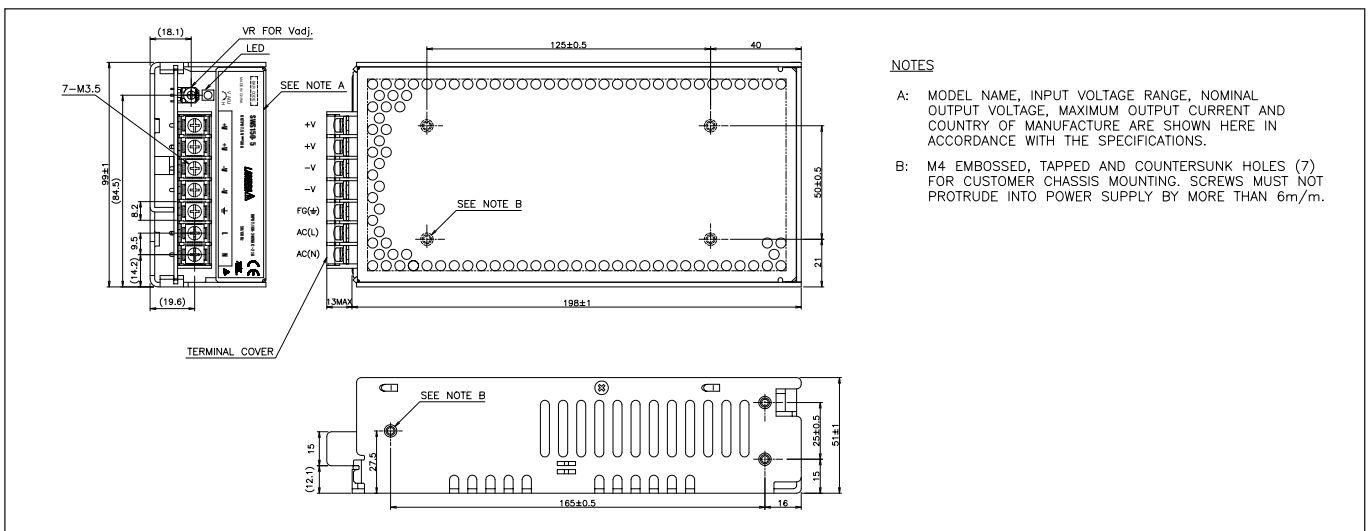
Outline Drawing SWS75 Series



Outline Drawing SWS100 Series



Outline Drawing SWS150 Series



TDK-LAMBDA EMEA

www.emea.tdk-lambda.com



TDK-Lambda France SAS

Route de Grivery
ZAC des Delaches
CS 41077
91978 Courtaboeuf Cedex
France
Tel: +33 1 60 12 71 65
Fax: +33 1 60 12 71 66
france@fr.tdk-lambda.com
www.fr.tdk-lambda.com



Italy Sales Office
Via dei Lavoratori 128/130
20092 Cinisello Balsamo (MI)
Italy
Tel: +39 02 61 29 38 63
Fax: +39 02 61 29 09 00
info.italia@it.tdk-lambda.com
www.it.tdk-lambda.com



TDK-Lambda Germany GmbH

Karl-Bold-Strasse 40
77855 Achern
Germany
Tel: +49 7841 666 0
Fax: +49 7841 5000
info.germany@de.tdk-lambda.com
www.de.tdk-lambda.com



Austria Sales Office
Aredstrasse 22
2544 Leobersdorf
Austria
Tel: +43 2256 655 84
Fax: +43 2256 645 12
info.germany@de.tdk-lambda.com
www.de.tdk-lambda.com



TDK-Lambda UK Ltd.

Kingsley Avenue
Ilfracombe
Devon EX34 8ES
United Kingdom
Tel: +44 (0) 12 71 85 66 66
Fax: +44 (0) 12 71 86 48 94
powersolutions@uk.tdk-lambda.com
www.uk.tdk-lambda.com



Nemic Lambda Ltd.

Kibbutz
Givat Hashlosha 48800
Israel
Tel: +9 723 902 4333
Fax: +9 723 902 4777
info@nemic.co.il
www.nemic.co.il



Russia

Technical Support:
St Petersburg
Tel: +7 (812) 6580463
Sales:
Moscow
Tel: +7 (499) 7557732
info@tdk-lambda.ru
www.tdk-lambda.ru

LOCAL DISTRIBUTION

